



# Catálogo General de Lámparas y Balastos

**2014 - 2015**

innovation  you

**PHILIPS**



# Contenido



Pág. 6 -13

Lámparas **LED**



Pág. 14 -25

Lámparas **FLUORESCENTES LINEALES**



Pág. 26 -31

Lámparas **FLUORESCENTES COMPACTAS NO INTEGRADAS**



Pág. 32 -37

Lámparas **FLUORESCENTES COMPACTAS INTEGRADAS**



Pág. 38 -53

Lámparas de **ALTA INTENSIDAD DE DESCARGA (HID)**



Pág. 54 -59

Lámparas **HALÓGENAS**



Pág. 60 -65

Lámparas **INCANDESCENTES**



Pág. 66 -101

**BALASTROS**



# Años iluminados



innovation  you



# Mano México



**PHILIPS**

# Contenido

	<b>Lámparas LED A19</b> Pág. 8		<b>Lámparas LED A21</b> Pág. 8		<b>Lámparas LED Decorativas</b> Pág. 8
	<b>Lámparas LED Especialidades</b> Pág. 9		<b>Lámparas LED Lineales</b> Pág. 9		<b>Lámparas LED MR16</b> Pág. 10
	<b>Lámparas LED PAR</b> Pág. 11		<b>Lámparas LED BR</b> Pág. 12		<b>Lámparas LED Downlight</b> Pág. 12



## Lámparas **LED**

Innovación, versatilidad y eficiencia

# Lámparas LED

Potencia	Clave	Status	Equivalencia	Bulbo	Base	Voltaje	Kelvin (CCT)	MOL (mm)	IRC	Vida Útil Promedio	Flujo Luminoso Inicial	Piezas	Comentarios
<b>LED Sultan A19 - Atenuable</b>													
7W	423483	MTS	= 40W	A19	E26/E27	120V	2,700	109.2	83	25,000	470	6	NUEVO / FIDE / NOM
11W	423491	MTS	= 60W	A19	E26/E27	120V	2,700	109.2	81	25,000	830	6	FIDE / NOM
<b>LED Prince A21 - Atenuable</b>													
15W	428763	MTS	= 75W	A21	E26/E27	120V	2,700	123	80	25,000	1,100	2	NUEVO / Tecnología de fósforo remoto / FIDE
22W	423525	MTO	= 100W	A21	E26/E27	120V	2,700	121.92	83	25,000	1,680	6	Tecnología de fósforo remoto / FIDE
<b>LED SlimStyle A19 - Atenuable</b>													
8W	433128	MTS	= 40W	A19	E26/E27	120V	2,700	106.6	80	25,000	450	4	NUEVO
7W	433136	MTS	= 40W	A19	E26/E27	120V	5,000	106.6	80	25,000	450	4	NUEVO
10.5W	433144	MTS	= 60W	A19	E26/E27	120V	2,700	106.6	80	25,000	800	4	NUEVO
10.5W	433151	MTS	= 60W	A19	E26/E27	120V	5,000	106.6	80	25,000	800	4	NUEVO
<b>LED Classic A19 - ON-OFF</b>													
7W	431684	MTS	= 40W	A19	E26/E27	120V	6,500	106.6	80	15,000	600	4	FIDE / NOM
8W	431668	MTS	= 40W	A19	E26/E27	120V	3,000	106.6	80	15,000	600	4	FIDE / NOM
10W	431676	MTS	= 60W	A19	E26/E27	120V	3,000	106.6	80	15,000	800	4	FIDE / NOM / HIPOTECA VERDE
10W	431692	MTS	= 60W	A19	E26/E27	120V	6,500	106.6	80	15,000	800	4	FIDE / NOM / HIPOTECA VERDE
<b>LED Ambiance Candle - Atenuable</b>													
3.5W	427799	MTS	= 25W	B11	E12	120V	2,700	101.6	85	25,000	180	8	NOM
3.5W	427773	MTS	= 25W	B12	E26/E27	120V	2,700	99.05	85	25,000	200	2	NOM
<b>LED Ambiance Flame - Atenuable</b>													
3.5W	427807	MTS	= 25W	F15	E26/E27	120V	2,700	111.76	85	25,000	180	8	NOM



# Lámparas LED

Potencia	Clave	Status	Equivalencia	Bulbo	Base	Voltaje	Kelvin (CCT)	MOL (mm)	IRC	Vida Útil Promedio	Flujo Luminoso Inicial	Piezas	Comentarios
<b>LED Cápsulas - ON-OFF</b>													
2.5W	423731	MTS	= 10W	T3 120D	G4	12V	3,000	48.26	80	25,000	100	2	
3W	418392	MTO	= 20W	T3 120D	G4	12V	2,700	40.64	80	25,000	170	4	
<b>LED Tube Essential - ON-OFF (Aplicaciones Generales)</b>													
20W	429753	MTO	32W	T8 Frosted	G13	120-277V	3,000	1,219.2	80	30,000	1,600	10	
20W	429761	MTS	32W	T8 Frosted	G13	120-277V	4,000	1,219.2	80	30,000	1,600	10	
10W	429811	MTO	17W	T8 Frosted	G13	120-277V	3,000	609.6	80	30,000	800	10	
10W	429829	MTS	17W	T8 Frosted	G13	120-277V	4,000	609.6	80	30,000	800	10	
8.5W	429837	MTO	17W	T8 Clear	G13	120-277V	4,000	609.6	80	30,000	700	10	
16W	429779	MTO	32W	T8 Clear	G13	120-277V	4,000	1,219.2	80	30,000	1,400	10	
<b>LED Tube Instant Fit - ON-OFF (Compatible con balastro de Encendido Instantáneo)</b>													
14.5W	433060	MTO	32W	T8	G13	n/a	3,000	1,219.2	83	40,000	1,500	10	NUEVO
14.5W	433268	MTO	32W	T8	G13	n/a	3,500	1,219.2	83	40,000	1,500	10	NUEVO
14.5W	433078	MTS	32W	T8	G13	n/a	4,000	1,219.2	83	40,000	1,600	10	NUEVO
14.5W	433086	MTS	32W	T8	G13	n/a	5,000	1,219.2	83	40,000	1,600	10	NUEVO



T3 2.5W  
G4



T3 3W  
G4



Essential  
G13



Instant Fit  
G13

# Lámparas LED

Potencia	Clave	Status	Bulbo	Base	Voltaje	Kelvin (CCT)	MOL (mm)	IRC	Vida Útil Promedio	Flujo Luminoso Inicial	Intensidad Luminosa (Candelas)	Piezas	Comentarios
<b>LED R111 - Atenuable (12V)</b>													
10=50W	256412	MTS	R111 24D	G53	12V	2,700	60	80	25,000	600	3,200	6	
15W=75W	259044	MTS	R111 24D	G53	12V	2,700	60	80	25,000	830	4,560	6	
<b>LED Retrofit MR11 - ON-OFF (12V)</b>													
3.5W=20W	423723	MTS	MR11 24D	GU4	12V	3,000	41.3	80	25,000	150	620	2	
<b>LED Retrofit MR16 - ON-OFF (12V)</b>													
5.5W=20W	420380	MTS	MR16 24D	GU5.3	12V	3,000	48.26	82	25,000	300	1,250	10	
<b>LED MR16 ON-OFF (12V)</b>													
6.5W=50W	291278	MTS	MR16 36D	GU5.3	12V	2,700	48.26	80	25,000	380	1,200	10	
6.5W=50W	291252	MTS	MR16 24D	GU5.3	12V	2,700	48.26	80	25,000	380	2,000	10	
6.5W=50W	291245	MTS	MR16 36D	GU5.3	12V	3,000	48.26	80	25,000	390	1,250	10	
6.5W=50W	291039	MTS	MR16 24D	GU5.3	12V	3,000	48.26	80	25,000	390	2,013	10	
<b>LED MR16 Atenuable (12V)</b>													
10W=50W	420166	MTS	MR16 24D	GU5.3	12V	2,700	48.26	83	25,000	480	1,920	10	
10W=50W	420174	MTS	MR16 24D	GU5.3	12V	3,000	48.26	82	25,000	495	1,980	10	
10W=50W	420182	MTS	MR16 35D	GU5.3	12V	2,700	48.26	83	25,000	470	1,260	10	
10W=50W	420190	MTS	MR16 35D	GU5.3	12V	3,000	48.26	82	25,000	490	1,300	10	
<b>LED MR16 - Atenuable (120V)</b>													
6W=50W	423418	MTS	MR16 25D	GU10	120V	3,000	50.8	85	25,000	300	1,050	2	Tecnología Airflux / NOM



R111  
G53



MR11  
GU4



MR16 5.5W  
GU5.3



MR16 6.5W  
GU5.3



MR16 10W  
GU5.3



MR16 6W  
GU10

# Lámparas LED

Potencia	Clave	Status	Bulbo	Base	Voltaje	Kelvin (CCT)	MOL (mm)	IRC	Vida Útil Promedio	Flujo Luminoso Inicial	Intensidad Luminosa (Candelas)	Piezas	Comentarios
<b>LED PAR16 - Atenuable (120V)</b>													
6.5W=50W	430215	MTS	PAR16 25D	E26/E27	120V	3,000	50	80	25,000	300	1,050	2	Tecnología Airflux / NOM
<b>LED Retrofit PAR20 Indoor - Atenuable</b>													
8W=50W	426122	MTO	PAR20 25D	E26/E27	120V	2,700	88.9	84	45,000	450	2,300	6	Tecnología Airflux / NOM
8W=50W	426130	MTS	PAR20 25D	E26/E27	120V	3,000	88.9	84	45,000	470	2,400	6	Tecnología Airflux / NOM
<b>LED PAR30S Indoor - Atenuable</b>													
13W=75W	423459	MTS	PAR30S 25D	E26/E27	120V	3,000	88.9	83	25,000	750	3,150	6	Tecnología Airflux / NOM
13W=75W	423442	MTS	PAR30S 25D	E26/E27	120V	2,700	88.9	83	25,000	720	3,000	6	Tecnología Airflux / NOM
13w=60W	423475	MTS	PAR30S 36D	E26/E27	120V	2,700	88.9	83	25,000	750	1,550	6	NUEVO / Tecnología Airflux / NOM
<b>LED PAR30L Indoor - Atenuable</b>													
11W=60W	430982	MTS	PAR30L 36D	E26/E27	120V	3,000	111.76	81	25,000	750	1,512	6	NUEVO / Tecnología Airflux / NOM
11W=60W	430974	MTO	PAR30L 36D	E26/E27	120V	2,700	111.76	82	25,000	720	1,512	6	NUEVO / Tecnología Airflux / NOM
13W=75W	420802	MTS	PAR30L 25D	E26/E27	120V	3,000	111.76	80	45,000	750	3,200	6	Tecnología Airflux / NOM
<b>LED PAR38 Indoor - Atenuable</b>													
13W=90W	430090	MTO	PAR38 36D	E26/E27	120V	2,700	132.08	82	25,000	900	1,980	6	NUEVO / Tecnología Airflux y Single Optic / NOM
13W=90W	430108	MTS	PAR38 36D	E26/E27	120V	3,000	132.08	82	25,000	950	2,100	6	NUEVO / Tecnología Airflux y Single Optic / NOM
17W= 120W	429035	MTS	PAR38 25D	E26/E27	120V	3,000	132.08	80	25,000	1200	6,000	6	NUEVO / Tecnología Airflux / NOM
18W=90W	420513	MTS	PAR38 25D	E26/E27	120V	2,700	132.08	82	25,000	900	3,900	6	Tecnología Airflux / NOM
<b>LED PAR38 Indoor - ON-OFF</b>													
13W=75W	429407	MTS	PAR38 25D	E26/E27	120V	3,000	132.08	84	25,000	830	3,200	2	NUEVO / Tecnología Airflux / NOM
<b>LED PAR38 Outdoor - ON-OFF</b>													
17W=90W	418558	MTS	PAR38 25D	E26/E27	120V	3,000	132.08	81	25,000	1,050	4,000	4	Uso en exteriores / NOM



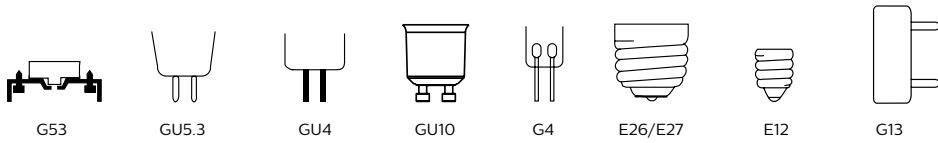
# Lámparas LED

Potencia	Clave	Status	Bulbo	Base	Voltaje	Kelvin (CCT)	MOL (mm)	IRC	Vida Útil Promedio	Flujo Luminoso Inicial	Intensidad Luminosa (Candelas)	Piezas	Comentarios
<b>LED R20 Indoor - Atenuable</b>													
8W=50W	423400	MTS	PAR 25D	E26/E27	120V	2,700	88.9	80	25,000	530	900	2	Tecnología Airflux / NOM
<b>LED BR30 Indoor - Atenuable</b>													
13W=65W	423798	MTO	BR30 90D	E26/E27	120V	2,700	127	80	25,000	730	520	2	Tecnología Airflux / NOM
<b>LED BR30 Indoor - ON-OFF</b>													
9.5W=65W	429415	MTS	BR30 90D	E26/E27	120V	2,700	127	90	25,000	650		4	Tecnología Airflux / NOM
<b>LED BR30 Indoor - Atenuable DIMTONE</b>													
13W=65W	426445	MTS	BR30 90D	E26/E27	120V	2,200-2,700	129.54	83	45,000	730	489	6	Tecnología Airflux / NOM
<b>LED BR40 Indoor - Atenuable</b>													
14.5W=75W	423756	MTS	BR40 90D	E26/E27	120V	2,700	165.1	80	25,000	800	520	2	Tecnología Airflux / NOM
<b>LED Downlight - Atenuable</b>													
15W=75W	432047	MTS	RDL	E26/E27	120V	2,700	158.8	80	45,000	800	520	2	NOM

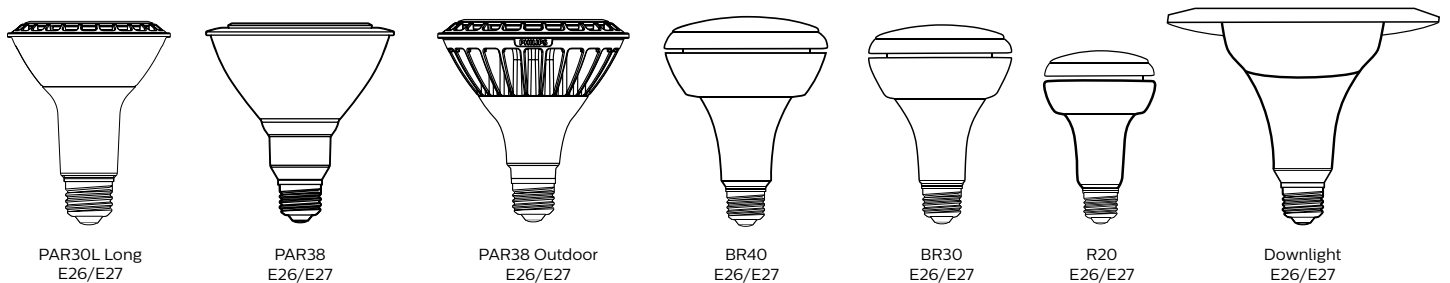
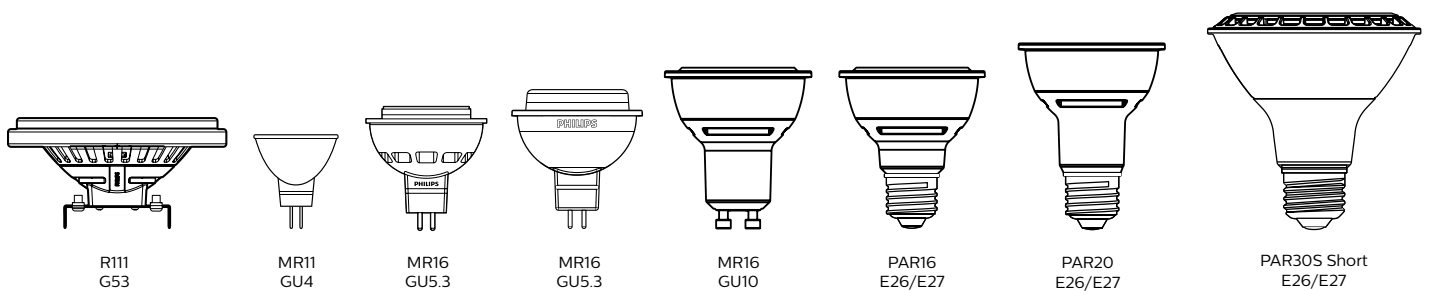
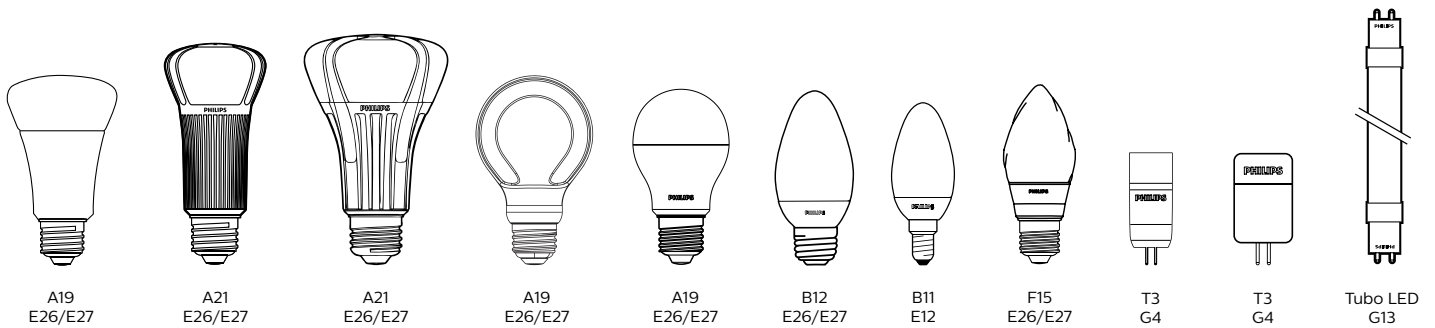


# Lámparas LED











## Tipos de Base



## Tipos de Bulbo



# Contenido

	<b>Lámparas Fluorescentes Lineales T5 HO Amalgam</b>		<b>Lámparas Fluorescentes Lineales T5 HE ECO</b>		<b>Lámparas Fluorescentes Lineales T5 HE</b>
	Pág. 16		Pág. 16		Pág. 16
	<b>Lámparas Fluorescentes Lineales T5 HO ECO</b>		<b>Lámparas Fluorescentes Lineales Essential</b>		<b>Lámparas Fluorescentes Lineales T5 Circulares</b>
	Pág. 17		Pág. 18		Pág. 18
	<b>Lámparas Fluorescentes Lineales T8 EA</b>		<b>Lámparas Fluorescentes Lineales T8 Plus</b>		<b>Lámparas Fluorescentes Lineales T8 Universal</b>
	Pág. 19		Pág. 20		Pág. 20
	<b>Lámparas Fluorescentes Lineales T8 UBent</b>		<b>Lámparas Fluorescentes Lineales T8 Slim Line</b>		
	Pág. 21		Pág. 21		



## Lámparas **FLUORESCENTES LINEALES**

Eficiencia energética, larga vida útil  
y sustentabilidad

**PHILIPS**

# Fluorescentes Lineales

Potencia	Clave	Status	Bulbo	Base	IRC	Kelvin (CCT)	MOL (mm)	Vida Promedio (ciclos 3 hr) [402]	Vida Promedio (ciclos 12 hr) [403]	Flujo Luminoso Inicial	Flujo Luminoso Promedio	Piezas	Para mayor información consultar las notas al final de este capítulo
----------	-------	--------	-------	------	-----	--------------	----------	-----------------------------------	------------------------------------	------------------------	-------------------------	--------	--

## T5 HO Energy Advantage Amalgam (Para Ambientes Extremos: 30°C a 80°C)

49W	407296	MTO	T5 ø16mm	G5	85	3,500	1,163.2	35,000	40,000	5,000	4,750	40	(400),(401),(412)
49W	407304	MTO	T5 ø16mm	G5	85	4,100	1,163.2	35,000	40,000	5,000	4,750	40	(400),(401),(412)
49W	407528	MTO	T5 ø16mm	G5	85	5,000	1,163.2	35,000	40,000	4,850	4,608	40	(400),(401),(412)

## T5 HO ActiViva (Revitalizante: 85% más luz azul que la luz natural)

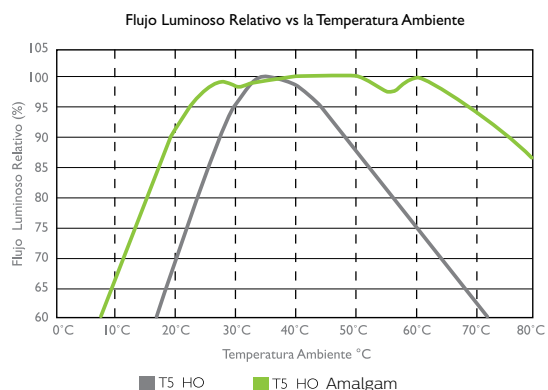
54W	241273	MTO	T5 ø16mm	G5	80	17,000	1,163.2	25,000	35,000	4,200	3,990	15	(401),(415)
-----	--------	-----	----------	----	----	--------	---------	--------	--------	-------	-------	----	-------------

## T5 HE Eco Ahorrador de Energía (Alta Eficacia)

13W=14W	246439	MTO	T5 ø16mm	G5	85	3,000	563.2	35,000	40,000	1,350	1,229	40	(400),(401),(412)
13W=14W	246454	MTS	T5 ø16mm	G5	85	4,000	563.2	35,000	40,000	1,350	1,229	40	(400),(401),(412)
13W=14W	240184	MTS	T5 ø16mm	G5	85	6,500	563.2	35,000	40,000	1,260	1,147	40	(400),(401),(412)
25W=28W	239004	MTO	T5 ø16mm	G5	85	3,000	1,163.2	35,000	40,000	2,900	2,639	40	(400),(401),(412)
25W=28W	239012	MTS	T5 ø16mm	G5	85	4,000	1,163.2	35,000	40,000	2,900	2,639	40	(400),(401),(412)
25W=28W	246363	MTS	T5 ø16mm	G5	85	6,500	1,163.2	35,000	40,000	2,700	2,457	40	(400),(401),(412)

## T5 HE (Alta Eficacia)

14W	211577	MTS	T5 ø16mm	G5	85	3,000	563.2	25,000	35,000	1,350	1,276	40	(401),(412)
14W	230805	MTS	T5 ø16mm	G5	85	4,000	563.2	25,000	35,000	1,350	1,276	40	(401),(412)
14W	229054	MTS	T5 ø16mm	G5	85	6,500	563.2	25,000	35,000	1,260	1,191	40	(401),(412)
21W	230813	MTO	T5 ø16mm	G5	85	3,000	863.2	25,000	35,000	2,100	1,985	40	(401),(412)
21W	230839	MTS	T5 ø16mm	G5	85	4,000	863.2	25,000	35,000	2,100	1,985	40	(401),(412)
21W	233247	MTS	T5 ø16mm	G5	85	6,500	863.2	25,000	35,000	1,960	1,852	40	(401),(412)
28W	211565	MTS	T5 ø16mm	G5	85	3,000	1,163.2	25,000	35,000	2,900	2,741	40	(401),(412)
28W	161018	MTS	T5 ø16mm	G5	85	4,000	1,163.2	25,000	35,000	2,900	2,741	40	(401),(412)
28W	211581	MTS	T5 ø16mm	G5	85	6,500	1,163.2	25,000	35,000	2,700	2,552	40	(401),(412)
35W	211599	MTO	T5 ø16mm	G5	85	3,000	1,463.2	25,000	35,000	3,650	3,449	40	(401),(412)
35W	230953	MTO	T5 ø16mm	G5	85	4,000	1,463.2	25,000	35,000	3,650	3,449	40	(401),(412)
35W	233239	MTO	T5 ø16mm	G5	85	6,500	1,463.2	25,000	35,000	3,400	3,213	40	(401),(412)



T5 HO Amalgam  
G5



T5 HO ActiViva  
G5



T5 HE Eco  
G5



T5 HE  
G5

# Fluorescentes Lineales

Potencia	Clave	Status	Bulbo	Base	IRC	Kelvin (CCT)	MOL (mm)	Vida Promedio (ciclos 3 hr) [402]	Vida Promedio (ciclos 12 hr) [403]	Flujo Luminoso Inicial	Flujo Luminoso Promedio	Piezas	Para mayor información consultar las notas al final de este capítulo
<b>T5 HO Eco Ahorrador de Energía (Alta Salida Luminosa)</b>													
49W=54W	239020	MTO	T5 ø16mm	G5	85	3,000	1,163.2	35,000	40,000	5,000	4,650	40	(400),(401),(412)
49W=54W	239038	MTS	T5 ø16mm	G5	85	4,000	1,163.2	35,000	40,000	5,000	4,650	40	(400),(401),(412)
49W=54W	246322	MTS	T5 ø16mm	G5	85	6,500	1,163.2	35,000	40,000	4,750	4,418	40	(400),(401),(412)
73W=80W	239046	MTO	T5 ø16mm	G5	85	3,000	1,463.2	35,000	40,000	7,000	6,510	40	(400),(401),(412)
73W=80W	239053	MTO	T5 ø16mm	G5	85	4,000	1,463.2	35,000	40,000	7,000	6,510	40	(400),(401),(412)
73W=80W	255935	MTO	T5 ø16mm	G5	85	6,500	1,463.2	35,000	40,000	6,650	6,185	40	(400),(401),(412)
<b>T5 HO Energy Advantage Ahorrador Energía (Alta Salida Luminosa)</b>													
44W	417816	MTO	T5 ø16mm	G5	85	3,500	1,163.2	35,000	40,000	4,520	4,145	40	(400),(401),(412)
44W	417824	MTO	T5 ø16mm	G5	85	4,100	1,163.2	35,000	40,000	4,520	4,145	40	(400),(401),(412)
44W	417832	MTO	T5 ø16mm	G5	85	5,000	1,163.2	35,000	40,000	4,300	3,943	40	(400),(401),(412)



# Fluorescentes Lineales

Potencia	Clave	Status	Bulbo	Base	IRC	Kelvin (CCT)	MOL (mm)	Vida Promedio (ciclos 3 hr) [402]	Vida Promedio (ciclos 12 hr) [403]	Flujo Luminoso Inicial	Flujo Luminoso Promedio	Piezas	Para mayor información consultar las notas al final de este capítulo
----------	-------	--------	-------	------	-----	--------------	----------	-----------------------------------	------------------------------------	------------------------	-------------------------	--------	--

## T5 HE Essential (Alta Eficacia)

14W	242842	MTO	T5 ø16mm	G5	80	3000	563.2	25,000	35,000	1,269	1,199	40	(401),(412)
14W	242818	MTS	T5 ø16mm	G5	80	4000	563.2	25,000	35,000	1,269	1,199	40	(401),(412)
14W	242792	MTO	T5 ø16mm	G5	80	6,500	563.2	25,000	35,000	1,184	1,119	40	(401),(412)
28W	242826	MTO	T5 ø16mm	G5	80	3,000	1,163.2	25,000	35,000	2,726	2,576	40	(401),(412)
28W	242784	MTS	T5 ø16mm	G5	80	4,000	1,163.2	25,000	35,000	2,726	2,576	40	(401),(412)
28W	242800	MTO	T5 ø16mm	G5	80	6,500	1,163.2	25,000	35,000	2,538	2,398	40	(401),(412)

## T5 HO Essential (Alta Salida Luminosa)

54W	294231	MTO	T5 ø16mm	G5	80	3,000	1,163.2	25,000	35,000	4,620	4,343	40	(401),(412)
54W	204420	MTS	T5 ø16mm	G5	80	4,000	1,163.2	25,000	35,000	4,620	4,343	40	(401),(412)
54W	259630	MTO	T5 ø16mm	G5	80	5,000	1,163.2	25,000	35,000	4,620	4,343	40	NUEVO (401),(412)
54W	240010	MTO	T5 ø16mm	G5	80	6,500	1,163.2	25,000	35,000	4,340	4,080	40	(401),(412)

## T5 Circulares

22W	166017	MTO	T5 ø16mm	2GX13	85	3,000	220.0	16,000	n/d	1,800	1,530	10	(401),(415)
22W	166009	MTO	T5 ø16mm	2GX13	85	4,000	220.0	16,000	n/d	1,800	1,530	10	(401),(415)
55W	165936	MTO	T5 ø16mm	2GX13	85	3,000	293.0	16,000	n/d	4,200	3,570	10	(401),(415)
55W	165928	MTO	T5 ø16mm	2GX13	85	4,000	293.0	16,000	n/d	4,200	3,570	10	(401),(415)



T5 HE Essential  
G5



T5 HO Essential  
G5



T5 Circular  
G5

# Fluorescentes Lineales

Potencia	Clave	Status	Bulbo	Base	IRC	Kelvin (CCT)	MOL (mm)	Vida Promedio (ciclos 3 hr) [402]	Vida Promedio (ciclos 12 hr) [403]	Flujo Luminoso Inicial	Flujo Luminoso Promedio	Piezas	Para mayor información consultar las notas al final de este capítulo
<b>T8 Energy Advantage</b>													
25W	282046	MTO	T8 ø26mm	G13	85	3,000	1213.6	30,000	36,000	2,500	2,450	30	(400),(401),(412)
25W	282095	MTO	T8 ø26mm	G13	85	3,500	1213.6	30,000	36,000	2,500	2,450	30	(400),(401),(412)
25W	280784	MTS	T8 ø26mm	G13	85	4,100	1213.6	30,000	36,000	2,500	2,450	30	(400),(401),(412)
25W	280792	MTO	T8 ø26mm	G13	82	5,000	1213.6	30,000	36,000	2,400	2,352	30	(400),(401),(412)
28W	281014	MTO	T8 ø26mm	G13	85	3,000	1213.6	30,000	36,000	2,725	2,643	30	(400),(401),(412)
28W	281022	MTO	T8 ø26mm	G13	85	3,500	1213.6	30,000	36,000	2,725	2,643	30	(400),(401),(412)
28W	281030	MTS	T8 ø26mm	G13	85	4,100	1213.6	30,000	36,000	2,725	2,643	30	(400),(401),(412)
28W	281055	MTO	T8 ø26mm	G13	82	5,000	1213.6	30,000	36,000	2,675	2,595	30	(400),(401),(412)
<b>T8 Extra Long Life / Energy Advantage</b>													
25W	281212	MTO	T8 ø26mm	G13	85	3,000	1213.6	36,000	40,000	2,425	2,377	30	(400),(401),(412)
25W	281220	MTO	T8 ø26mm	G13	85	3,500	1213.6	36,000	40,000	2,425	2,377	30	(400),(401),(412)
25W	281238	MTO	T8 ø26mm	G13	85	4,100	1213.6	36,000	40,000	2,425	2,377	30	(400),(401),(412)
25W	281253	MTO	T8 ø26mm	G13	82	5,000	1213.6	36,000	40,000	2,325	2,279	30	(400),(401),(412)
<b>T8 Extra Long Life</b>													
32W	281154	MTO	T8 ø26mm	G13	85	3,500	1213.6	36,000	40,000	2,950	2,803	30	(401),(412)
32W	281162	MTO	T8 ø26mm	G13	85	4,100	1213.6	36,000	40,000	2,950	2,803	30	(401),(412)
<b>T8 Advantage</b>													
17W	281303	MTO	T8 ø26mm	G13	85	3,000	609.6	24,000	30,000	1,500	1,455	30	(401),(412)
17W	281311	MTO	T8 ø26mm	G13	85	3,500	609.6	24,000	30,000	1,500	1,455	30	(401),(412)
17W	281329	MTO	T8 ø26mm	G13	85	4,100	609.6	24,000	30,000	1,500	1,455	30	(401),(412)



# Fluorescentes Lineales

Potencia	Clave	Status	Bulbo	Base	IRC	Kelvin (CCT)	MOL (mm)	Vida Promedio (ciclos 3 hr) [402]	Vida Promedio (ciclos 12 hr) [403]	Flujo Luminoso Inicial	Flujo Luminoso Promedio	Piezas	Para mayor información consultar las notas al final de este capítulo
<b>T8 Plus</b>													
17W	280933	MTS	T8 ø26mm	G13	85	3,000	609.6	30,000	36,000	1,400	1,330	30	(401),(412)
17W	280941	MTO	T8 ø26mm	G13	85	3,500	609.6	30,000	36,000	1,400	1,330	30	(401),(412)
17W	280958	MTS	T8 ø26mm	G13	85	4,100	609.6	30,000	36,000	1,400	1,330	30	(401),(412)
17W	281931	MTS	T8 ø26mm	G13	85	6,500	609.6	30,000	36,000	1,400	1,330	30	NUEVO (401), (412)
25W	280974	MTS	T8 ø26mm	G13	85	3,000	914.4	30,000	36,000	2,225	2,114	30	(401),(412)
25W	280982	MTO	T8 ø26mm	G13	85	3,500	914.4	30,000	36,000	2,225	2,114	30	(401),(412)
25W	280990	MTO	T8 ø26mm	G13	85	4,100	914.4	30,000	36,000	2,225	2,114	30	(401),(412)
32W	281659	MTO	T8 ø26mm	G13	85	3,000	1,213.6	30,000	36,000	2,950	2,803	30	(401),(412)
32W	281675	MTO	T8 ø26mm	G13	85	3,500	1,213.6	30,000	36,000	2,950	2,803	30	(401),(412)
32W	281790	MTS	T8 ø26mm	G13	85	4,100	1,213.6	30,000	36,000	2,950	2,803	30	(401),(412)
32W	281816	MTS	T8 ø26mm	G13	82	5,000	1,213.6	30,000	36,000	2,850	2,708	30	(401),(412)
32W	281816	MTS	T8 ø26mm	G13	85	5,000	1,213.6	30,000	36,000	2,950	2,803	30	NUEVO (401), (412)
32W	281964	MTO	T8 ø26mm	G13	82	6,500	1,213.6	30,000	36,000	2,750	2,613	30	NUEVO (401), (412)
<b>T8 Universal</b>													
17W	281899	MTS	T8 ø26mm	G13	85	4,100	609.6	24,000	30,000	1,350	1,283	30	(401),(412)
25W	281907	MTS	T8 ø26mm	G13	85	3,500	914.4	24,000	30,000	2,150	2,043	30	(401),(412)
25W	281915	MTS	T8 ø26mm	G13	85	4,100	914.4	24,000	30,000	2,150	2,043	30	(401),(412)
32W	281519	MTS	T8 ø26mm	G13	85	3,000	1,213.6	24,000	30,000	2,850	2,708	30	(401),(412)
32W	281535	MTS	T8 ø26mm	G13	85	3,500	1,213.6	24,000	30,000	2,850	2,708	30	(401),(412)
32W	281550	MTS	T8 ø26mm	G13	85	4,100	1,213.6	24,000	30,000	2,850	2,708	30	(401),(412)
32W	281568	MTS	T8 ø26mm	G13	82	5,000	1,213.6	24,000	30,000	2,850	2,708	30	(401),(412)
<b>T8 Deluxe</b>													
32W	209056	MTO	T8 ø26mm	G13	98	5,000	1,213.6	20,000	25,000	2,000	1,860	25	(401),(415)



# Fluorescentes Lineales

Potencia	Clave	Status	Bulbo	Base	IRC	Kelvin (CCT)	MOL (mm)	Vida Promedio (ciclos 3 hr) [402]	Vida Promedio (ciclos 12 hr) [403]	Flujo Luminoso Inicial	Flujo Luminoso Promedio	Piezas	Para mayor información consultar las notas al final de este capítulo
<b>T8 TLD (Sistema Europeo)</b>													
36W	245985	MTO	T8 ø26mm	G13	85	4,000	1,213.6	20,000	25,000	3,350	3,183	25	(401),(412)
58W	246009	MTO	T8 ø26mm	G13	85	4,000	1,514.2	20,000	25,000	5,200	4,940	25	(401),(412)
70W	291864	MTO	T8 ø26mm	G13	85	4,000	1,778.0	20,000	25,000	6,200	5,890	25	(401),(412)
<b>T8 Energy Advantage U Bent 6"</b>													
25W	204230	MTS	T8 ø26mm	G13	85	4,100	574	24,000	30,000	2400	2330	20	(401), (412)
25W	204248	MTS	T8 ø26mm	G13	85	5,000	574	24,000	30,000	2350	2280	20	(401), (412)
<b>T8 Universal U Bent 15/8"</b>													
29W	226753	MTO	T8 ø26mm	G13	85	3,000	560.3	20,000	24,000	2,750	2,500	15	NUEVO (401), (412)
29W	226779	MTO	T8 ø26mm	G13	85	4,000	560.3	20,000	24,000	2,750	2,500	15	NUEVO (401), (412)
31W	226712	MTO	T8 ø26mm	G13	85	3,000	574.0	24,000	30,000	2,775	2,636	25	(401),(412)
31W	226746	MTO	T8 ø26mm	G13	85	4,100	574.0	24,000	30,000	2,775	2,636	25	(401),(412)
<b>T8 Plus (Slim Line)</b>													
59W	236851	MTS	T8 ø26mm	Fa8	86	4,100	2,438.4	24,000	30,000	5,900	5,487	25	(401),(412)
59W	236869	MTS	T8 ø26mm	Fa8	86	5,000	2,438.4	24,000	30,000	5,780	5,375	25	(401),(412)
<b>T8 HO Plus (Alta Salida Luminosa)</b>													
86W	236885	MTS	T8 ø26mm	R17d	85	4,100	2,438.4	24,000	30,000	8,200	7,626	25	(401),(412)
<b>T8 Slim Line (Compatibles con Balastos T12 Electrónicos)</b>													
30W=39W	426858	MTS	T8 ø26mm	Fa8	82	4,100	1,163.2	15,000	20,000	2,675	2,541	25	(401), (412)
30W=39W	426841	MTS	T8 ø26mm	Fa8	82	6,500	1,163.2	15,000	20,000	2,575	2,446	25	(401), (412)
60W=75W	427070	MTS	T8 ø26mm	Fa8	82	4,100	2,438.4	15,000	20,000	5,900	5,650	25	(401), (412)
60W=75W	427021	MTS	T8 ø26mm	Fa8	82	6,500	2,438.4	15,000	20,000	5,605	5,370	25	(401), (412)
<b>TLE Circular</b>													
22W	110320	MTS	T9 ø29mm	G10q	79	5,400	203.2	12,000	n/a	675	574	20	(401),(415)
32W	110676	MTS	T9 ø29mm	G10q	79	5,400	303.5	12,000	n/a	1,300	1,105	20	(401),(415)

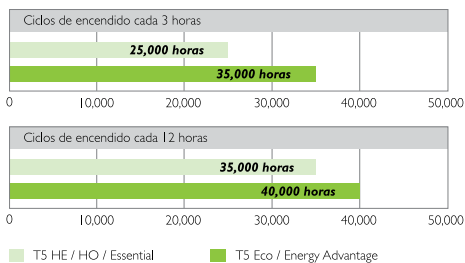


# Fluorescentes Lineales

## Vida Útil Promedio



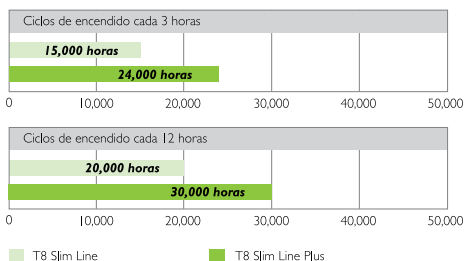
Lámparas T5 HO / HE / Essential / Eco / Energy Advantage  
Encendido Programado



Lámparas T8 Advantage / Universal



Lámparas T8 Slim Line Plus / Slim Line  
Encendido Instantáneo



Lámparas T8 Extra Long Life

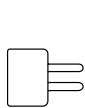


Lámparas T8 Plus / Energy Advantage

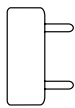


# Fluorescentes Lineales

## Tipos de Base



G5/GX5



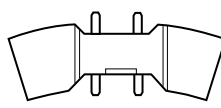
G13



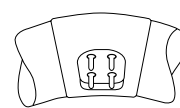
R17d



Fa8



2GX13



G10q

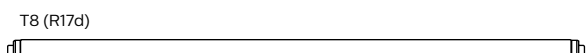
## Tipos de Bulbo



T5 (G5)



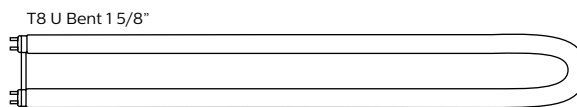
T8 (G13)



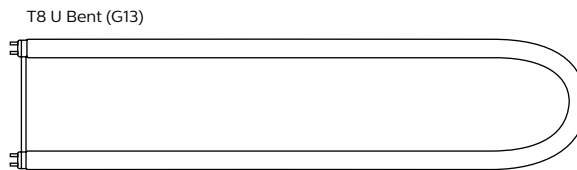
T8 (R17d)



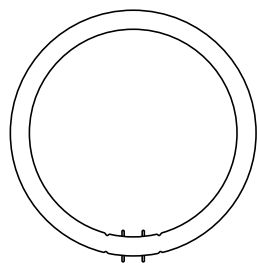
T8 Slim Line (Fa8)



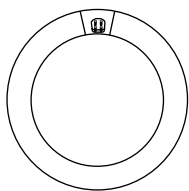
T8 U Bent 1 5/8"



T8 U Bent (G13)



T5 (2GX13)



TLE (G10q)

# Fluorescentes Lineales

## Comentarios Adicionales

---

- (400)** Producto ahorrador de energía.
- (401)** Lámparas con el más bajo contenido de mercurio de la industria (T5 1.4 mg y T8 1.7 mg).
- (402)** La vida útil promedio es obtenida luego de medir un grupo representativo de lámparas bajo condiciones controladas en un laboratorio y con ciclos de encendido de 3 horas en sistemas de encendido instantáneo. Esta se define cuando el 50% de la muestra medida sobrevive a la prueba.
- (403)** La vida útil promedio es obtenida luego de medir un grupo representativo de lámparas bajo condiciones controladas en un laboratorio y con ciclos de encendido de 12 horas en sistemas de encendido instantáneo. Esta se define cuando el 50% de la muestra medida sobrevive a la prueba.
- (404)** Flujo luminoso inicial medido a las primeras 100 horas de operación de la lámpara.
- (405)** Flujo luminoso promedio medido al 40% de la vida útil de la lámpara.
- (406)** Longitud en milímetros medida desde el punto más bajo (base) hasta la parte más alta de la lámpara.
- (412)** Producto certificado bajo la Norma Oficial Mexicana NOM-028-ENER-2010
- (415)** Producto exento de la Norma Oficial Mexicana NOM-028-ENER-2010



# Contenido

	<b>Lámparas Fluorescentes Compactas No Integradas PL S 2 pines</b> Pág. 28		<b>Lámparas Fluorescentes Compactas No Integradas PLC EA</b> Pág. 28		<b>Lámparas Fluorescentes Compactas No Integradas PL C 4 pines</b> Pág. 28
	<b>Lámparas Fluorescentes Compactas No Integradas PL L EA</b> Pág. 29		<b>Lámparas Fluorescentes Compactas No Integradas PL T EA</b> Pág. 29		<b>Lámparas Fluorescentes Compactas No Integradas PL T 4 pines</b> Pág. 29



## Lámparas **FLUORESCENTES COMPACTAS NO INTEGRADAS**

Eficacia, confiabilidad y desempeño

**PHILIPS**

# Fluorescentes Compactas No Integradas (PL)

Potencia	Clave	Status	Bulbo	Base	IRC	Kelvin (CCT)	MOL (mm)	Vida Promedio (horas)	Flujo Luminoso Inicial	Flujo Luminoso Promedio	Eficiencia Luminosa	Piezas	Comentarios
----------	-------	--------	-------	------	-----	--------------	----------	-----------------------	------------------------	-------------------------	---------------------	--------	-------------

## PL S (Short) 2 Pines

7W	271676	MTO	1U	G23	82	2,700	135.0	10,000	400	360	57	10	
7W	271759	MTS	1U	G23	82	4,000	135.0	10,000	400	360	57	10	
9W	271684	MTO	1U	G23	82	2,700	167.0	10,000	600	540	67	10	
9W	271692	MTS	1U	G23	82	4,000	167.0	10,000	600	540	67	10	
13W	271700	MTO	1U	GX23	82	2,700	178.2	10,000	825	740	63	10	
13W	271718	MTS	1U	GX23	82	4,000	178.2	10,000	825	740	63	10	
13W	271726	MTS	1U	GX23	82	5,000	178.2	10,000	825	740	63	10	

## PL C (Cluster) 2 Pines

13W	165019	MTS	2U	GX23-2	82	2,700	117.5	10,000	860	735	66	50	
13W	164995	MTS	2U	GX23-2	82	4,000	117.5	10,000	860	735	66	10	
26W	163963	MTS	2U	G24d3	82	2,700	171.4	10,000	1,800	1,545	69	50	
26W	163949	MTS	2U	G24d3	82	4,000	171.4	10,000	1,800	1,545	69	50	

## PL C (Cluster) Energy Advantage 4 Pines

14W=18W	220343	MTO	2U	G24q3	82	2,700	163.9	12,000	1,100	946	68	10	Producto Ahorrador de Energia.
14W=18W	220418	MTO	2U	G24q3	82	4,100	163.9	12,000	1,100	946	68	10	Producto Ahorrador de Energia.
21W=26W	220426	MTO	2U	G24q3	82	2,700	163.9	12,000	1,600	1,375	76	10	Producto Ahorrador de Energia.
21W=26W	220483	MTO	2U	G24q3	82	4,100	163.9	12,000	1,600	1,375	76	10	Producto Ahorrador de Energia.

## PL C (Cluster) 4 Pines

13W	164038	MTS	2U	G24q1	82	4,000	131.8	12,000	900	775	69	50	
26W	163931	MTS	2U	G24q3	82	2,700	163.9	12,000	1,800	1,550	69	50	
26W	163923	MTS	2U	G24q3	82	3,000	163.9	12,000	1,800	1,550	69	50	
26W	163915	MTS	2U	G24q3	82	4,000	163.9	12,000	1,800	1,550	69	10	



PL S  
2 Pines



PL C  
2 Pines



PL C  
4 Pines

# Fluorescentes Compactas No Integradas (PL)

Potencia	Clave	Status	Bulbo	Base	IRC	Kelvin (CCT)	MOL (mm)	Vida Promedio (horas)	Flujo Luminoso Inicial	Flujo Luminoso Promedio	Eficiencia Luminosa	Piezas	Comentarios
<b>PL L (Long) Energy Advantage 4 Pines</b>													
<b>25W=40W</b>	209130	MTO	2U Long	2G11	82	3,000	571.6	24,000	2,600	2,470	104	25	Producto Ahorrador de Energia
<b>25W=40W</b>	209155	MTO	2U Long	2G11	82	4,100	571.6	24,000	2,600	2,470	104	25	Producto Ahorrador de Energia
<b>PL L (Long) 4 Pines</b>													
<b>36W</b>	345116	MTO	2U Long	2G11	82	3,000	416.6	15,000	2,900	2,610	81	25	
<b>36W</b>	345132	MTS	2U Long	2G11	82	4,000	416.6	15,000	2,900	2,610	81	25	
<b>40W</b>	300426	MTO	2U Long	2G11	82	3,000	541.6	15,000	3,500	3,220	88	25	
<b>40W</b>	300442	MTS	2U Long	2G11	82	4,000	541.6	15,000	3,500	3,220	88	25	
<b>PL T (Triple) Energy Advantage 4 Pines</b>													
<b>27W=32W</b>	220210	MTO	6U	GX24q3	82	3,000	138.7	16,000	1,875	1,725	69	10	Producto Ahorrador de Energia
<b>27W=32W</b>	220244	MTO	6U	GX24q3	82	4,100	138.7	16,000	1,875	1,725	69	10	Producto Ahorrador de Energia
<b>33W=42W</b>	220269	MTO	6U	GX24q4	82	3,000	160.7	16,000	2,615	2,400	79	10	Producto Ahorrador de Energia
<b>33W=42W</b>	220293	MTO	6U	GX24q4	82	4,100	160.7	16,000	2,615	2,400	79	10	Producto Ahorrador de Energia
<b>PL T (Triple) 4 Pines</b>													
<b>26W</b>	152298	MTO	6U	GX24q3	82	3,000	126.7	13,000	1,800	1,530	69	50	
<b>26W</b>	152306	MTO	6U	GX24q3	82	4,000	126.7	13,000	1,800	1,530	69	50	
<b>32W</b>	152314	MTO	6U	GX24q3	82	3,000	138.7	13,000	2,400	2,040	75	50	
<b>32W</b>	152322	MTS	6U	GX24q3	82	4,000	138.7	13,000	2,400	2,040	75	10	
<b>42W</b>	152330	MTS	6U	GX24q4	82	3,000	160.7	13,000	3,200	2,720	76	50	
<b>42W</b>	152264	MTS	6U	GX24q4	82	4,000	160.7	13,000	3,200	2,720	76	50	
<b>57W</b>	239962	MTO	6U	GX24q5	82	4,000	197.7	13,000	4,300	3,741	75	50	



PL L  
4 Pines



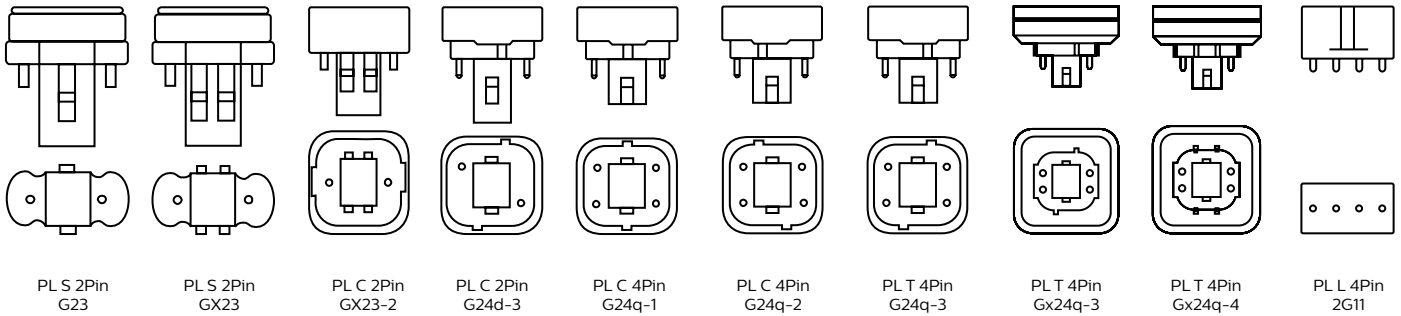
PL T Energy Advantage  
4 Pines



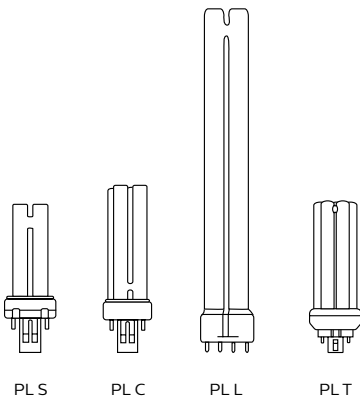
PL T  
4 Pines

# Fluorescentes Compactas No Integradas (PL)

## Tipos de Base



## Tipos de Bulbo





# Contenido

	<b>Lámparas Fluorescentes Compactas Integradas MiniTwister T2</b> Pág. 34		<b>Lámparas Fluorescentes Compactas Integradas Twister T2</b> Pág. 34		<b>Lámparas Fluorescentes Compactas Integradas Twister GU24</b> Pág. 34
	<b>Lámparas Fluorescentes Compactas Integradas Twister Sensor</b> Pág. 35		<b>Lámparas Fluorescentes Compactas Integradas Twister Atenuable</b> Pág. 35		<b>Lámparas Fluorescentes Compactas Integradas Twister High Lumen</b> Pág. 35
	<b>Lámparas Fluorescentes Compactas Integradas MiniVela</b> Pág. 35		<b>Lámparas Fluorescentes Compactas Integradas Anti Insecto</b> Pág. 35		<b>Lámparas Fluorescentes Compactas Integradas DecoGlobo</b> Pág. 35
	<b>Lámparas Fluorescentes Compactas Integradas Twister Party</b> Pág. 36				



## Lámparas **FLUORESCENTES COMPACTAS INTEGRADAS**

Versátiles, compactas y eficientes

**PHILIPS**

# Fluorescentes Compactas Integradas

Potencia	Clave	Status [500]	Equivalencia	Bulbo	Base	Voltaje	Kelvin (CCT)	MOL (mm)	Vida Útil (horas)	Flujo Luminoso Inicial	Eficacia Luminosa (Lm/W)	Piezas	Para mayor información consultar las notas al final de este capítulo
----------	-------	--------------	--------------	-------	------	---------	--------------	----------	-------------------	------------------------	--------------------------	--------	--

## Ahorradores de Energía Mini Twister T2

5W	429738	MTS	= 25W	T2	E26/E27	127V	6,500	72	12,000	260	52	12	(500), (506)
5W	429720	MTS	= 25W	T2	E26/E27	127V	2,700	72	12,000	290	58	12	(500), (506)
9W	279646	MTS	= 40W	T2	E26/E27	127V	6,500	82.5	12,000	480	53	12	(500), (506)
9W	279653	MTS	= 40W	T2	E26/E27	127V	2,700	82.5	12,000	500	56	12	(500), (506)
13W	279703	MTS	= 70W	T2	E26/E27	127V	6,500	94.5	12,000	810	62	12	(500), (506)
13W	279679	MTS	= 70W	T2	E26/E27	127V	2,700	94.5	12,000	840	65	12	(500), (506)
18W	279687	MTS	= 90W	T2	E26/E27	127V	6,500	107	12,000	1,200	67	12	(500), (506)
18W	279729	MTS	= 90W	T2	E26/E27	127V	2,700	107	12,000	1,250	69	12	(500), (506)
23W	279745	MTS	= 100W	T2	E26/E27	127V	6,500	115	12,000	1,500	65	12	(500), (506)
23W	279737	MTS	= 75W	T2	E26/E27	127V	2,700	115	12,000	1,600	70	12	(500), (506)
26W	434266	MTS	= 120W	T2	E26/E27	127V	6,500	123	12,000	1,700	65	12	NUEVO (500), (506)
26W	434258	MTS	= 120W	T2	E26/E27	127V	2,700	123	12,000	1,800	69	12	NUEVO (500), (506)

## Ahorradores de Energía EcoHome Twister T2

13W	434902	MTS	= 60W	T2	E26/E27	127V	6,500	94.5	8,000	650	50	8	NUEVO (500), (506)
20W	434910	MTS	= 90W	T2	E26/E27	127V	6,500	107	8,000	1,140	57	8	NUEVO (500), (506)

## Ahorradores de Energía Twister GU24

13W	432740	MTS	= 60W	T2	GU24	120V	2,700	94.5	10,000	900	45	6	NUEVO (500), (506)
18W	432757	MTS	= 75W	T2	GU24	120V	2,700	107	10,000	1,200	60	6	NUEVO (500), (506)
23W	432765	MTS	= 120W	T2	GU24	120V	2,700	115	10,000	1,600	80	6	NUEVO (500), (506)



# Fluorescentes Compactas Integradas

Potencia	Clave	Status [500]	Equivalencia	Bulbo	Base	Voltaje	Kelvin (CCT)	MOL (mm)	Vida Útil (horas)	Flujo Luminoso Inicial	Eficacia Luminosa (Lm/W)	Piezas	Para mayor información consultar las notas al final de este capítulo
----------	-------	--------------	--------------	-------	------	---------	--------------	----------	-------------------	------------------------	--------------------------	--------	--

## Ahorrradores de Energía Twister con Sensor de Luz

14W	431734	MTS	= 60W	T2	E26/E27	127V	2,700	118	10,000	900	64	6	NUEVO (500), (503), (504), (506)
-----	--------	-----	-------	----	---------	------	-------	-----	--------	-----	----	---	----------------------------------

## Ahorrradores de Energía Twister Dimeables

20W	428978	MTS	= 80W	T3	E26/E27	127V	2,700	121	10,000	1,200	60	6	NUEVO (500), (505), (506)
-----	--------	-----	-------	----	---------	------	-------	-----	--------	-------	----	---	---------------------------

## Ahorrradores de Energía Twister de Alta Salida Luminosa

42W	151968	MTS	= 170W	T3	E26/E27	127V	2,700	203	8,000	2,800	140	12	(500), (506)
42W	151922	MTS	= 170W	T3	E26/E27	127V	6,500	203	8,000	2,650	133	12	(500), (506)

## Ahorrradores de Energía Twister de Alta Salida Luminosa

45W	230714	MTS	= 170W	T5	E26/E27	127V	6,500	203	10,000	2,850	63	6	(500), (506)
45W	277632	MTS	= 170W	T5	E26/E27	220V	6,500	203	10,000	2,850	63	6	(500), (506)
65W	230722	MTS	= 250W	T5	E26/E27	127V	6,500	220	10,000	4,000	61	6	(500), (506)
65W	238204	MTS	= 250W	T5	E26/E27	220V	6,500	220	10,000	4,000	61	6	(500), (506)
80W	230649	MTS	= 330W	T5	E39/E40	127V	6,500	260.5	10,000	5,300	66	6	(500), (506)
80W	277624	MTS	= 330W	T5	E39/E40	220V	6,500	260.5	10,000	5,300	66	6	(500), (506)

## Ahorrradores de Energía Mini Velas

5W	422360	MTS	= 25W	B35	E26/E27	127V	2,700	99	8,000	200	40	4	(500), (506)
5W	422352	MTS	= 25W	B35	E12	127V	2,700	99	8,000	200	40	4	(500), (506)
9W	422345	MTS	= 40W	B35	E26/E27	127V	2,700	111	8,000	420	46	4	(500), (506)
9W	422337	MTS	= 40W	B35	E12	127V	2,700	111	8,000	420	46	4	(500), (506)

## Ahorrradores de Energía Anti Insecto

14W	430496	MTS	= 60W	A19	E26/E27	127V	n/a	120	8,000	600	42	6	(506)
-----	--------	-----	-------	-----	---------	------	-----	-----	-------	-----	----	---	-------

## Ahorrradores de Energía Deco Globo

16W	211060	MTS	= 60W	G30	E26/E27	127V	2,700	138	8,000	900	56	6	NUEVO (500), (506)
23W	211078	MTS	= 100W	G40	E26/E27	127V	2,700		8,000	1,400	61	6	NUEVO (500), (506)



Twister Sensor  
T2

Twister Dimeable  
T4

42W  
T3

Twister High Lumen  
T5

MiniVela  
E26/E27

MiniVela  
E12

Anti Insecto

DecoGlobo  
E26/E27

# Fluorescentes Compactas Integradas

Potencia	Clave	Status [500]	Equivalencia	Bulbo	Base	Voltaje	Kelvin (CCT)	MOL (mm)	Vida Útil (horas)	Flujo Luminoso Inicial	Eficacia Luminosa (Lm/W)	Piezas	Para mayor información consultar las notas al final de este capítulo
----------	-------	--------------	--------------	-------	------	---------	--------------	----------	-------------------	------------------------	--------------------------	--------	--

## Ahorradoras de Energía Twister Party

13W	430439	MTS	60W	T3	E26/E27	127V	n/a	110	10,000	n/a	n/a	6	(506) Negro
13W	430447	MTS	60W	T3	E26/E27	127V	n/a	110	10,000	n/a	n/a	6	(506) Naranja
13W	430454	MTS	60W	T3	E26/E27	127V	n/a	110	10,000	n/a	n/a	6	(506) Amarillo
13W	430462	MTS	60W	T3	E26/E27	127V	n/a	110	10,000	n/a	n/a	6	(506) Azul
13W	430470	MTS	60W	T3	E26/E27	127V	n/a	110	10,000	n/a	n/a	6	(506) Rojo
13W	430488	MTS	60W	T3	E26/E27	127V	n/a	110	10,000	n/a	n/a	6	(506) Verde



Negro  
T3



Naranja  
T3



Amarillo  
T3



Azul  
T3



Rojo  
T3



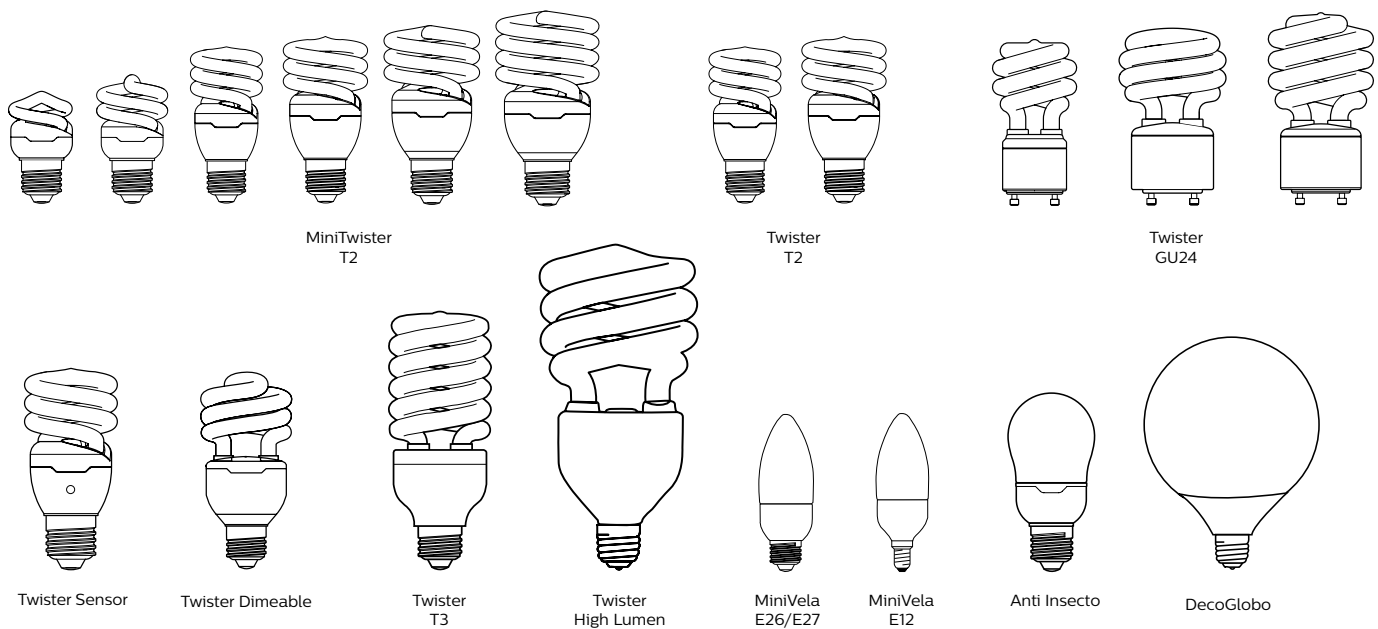
Verde  
T3

# Fluorescentes Compactas Integradas

## Tipos de Base



## Tipos de Bulbo



## Comentarios Adicionales

- (500) Reproducción de Color >80
- (501) 400 Candelas
- (502) 120° de Apertura
- (503) Sensor Infrarrojo, sensible solo a luz natural, luz solar
- (504) Base giratoria. Permite enfocar el sensor infra rojo (punto rojo) en la dirección de la luz
- (505) Capacidad de atenuación hasta 95%
- (506) Producto certificado bajo la Norma Oficial Mexicana NOM-017-ENER/SCFI-2008

# Contenido

	<b>Lámparas HID CosmoWhite CPO TW</b>		<b>Lámparas HID MASTER Color CDM MW Elite</b>		<b>Lámparas HID MASTER City White CDO TT Plus</b>
	Pág. 40		Pág. 40		Pág. 40
	<b>Lámparas HID MASTER Color CDM ED Elite</b>		<b>Lámparas HID MASTER Color CDM ALLSTART</b>		<b>Lámparas HID Metal Halide Pulse Start</b>
	Pág. 41		Pág. 42		Pág. 42
	<b>Lámparas HID Metal Halide Switch Start</b>		<b>Lámparas HID MASTER HPIT</b>		<b>Lámparas HID Sodio de Alta Presión Ceramalux</b>
	Pág. 43		Pág. 43		Pág. 44
	<b>Lámparas HID MASTER SON T PIA Plus</b>		<b>Lámparas HID Compactas Tm / T / Tc Elite</b>		<b>Lámparas HID Compactas Evolution</b>
	Pág. 44		Pág. 46		Pág. 47
	<b>Lámparas HID Reflectores MR16 Elite</b>		<b>Lámparas HID Reflectores Master Color CDM R PAR30 L</b>		<b>Lámparas HID Reflectores Master Color CDM R111</b>
	Pág. 50		Pág. 50		Pág. 51



## Lámparas **ALTA DENSIDAD DE DESCARGA (HID)**

Calidad de luz, innovación y ahorro de energía

**PHILIPS**

# Alta Intensidad de Descarga (HID)

Potencia	Clave	Status	ANSI Balastro Voltaje	Bulbo	Base	IRC	Kelvin (CCT)	MOL (mm) [312]	Vida Útil (horas) [308]	Flujo Luminoso Inicial	Flujo Luminoso Promedio	Piezas	Comentarios
----------	-------	--------	-----------------------	-------	------	-----	--------------	----------------	-------------------------	------------------------	-------------------------	--------	-------------

## CosmoWhite CPO TW

<b>60W = 100W</b>	157313	MTO	C187	T6 ø19mm CL	PGZ12	70	2,800	132	30000 <sup>(1)</sup>	6,900	6,200	12	(300),(302),(306),(309),(310)
<b>90W = 150W</b>	234393	MTO	C188	T6 ø19mm CL	PGZ12	70	2,800	143	30000 <sup>(1)</sup>	10,450	8,800	12	(300),(302),(306),(309),(310)
<b>140W = 250W</b>	217745	MTO	C189	T6 ø19mm CL	PGZ12	70	2,800	147	30000 <sup>(1)</sup>	16,500	14,020	12	(300),(302),(306),(309),(310)

## Master CosmoWhite CPO-TT Xtra

<b>60W = 100W</b>	254342	MTO	C187	T35ø36mm CL	E27	70	2,800	156	32000 <sup>(1)</sup>	7,090	6,381	12	(300),(302),(306),(309),(310)
<b>90W = 150W</b>	254797	MTO	C188	T46ø47mm CL	E40	70	2,800	211	30000 <sup>(1)</sup>	10,139	9,125	12	(300),(302),(306),(309),(310)
<b>140W = 250W</b>	255331	MTO	C189	T46ø47mm CL	E40	68	2,800	211	24000 <sup>(1)</sup>	15,989	14,390	12	(300),(302),(306),(309),(310)
<b>210W = 250W</b>	255364	MTO	C183	T46ø47mm CL	E40	90	2,800	211	30000 <sup>(1)</sup>	21,994	19,794	12	(300),(302),(306),(309),(310)
<b>315W = 400W</b>	255471	MTO	C182	T46ø47mm CL	E40	90	2,800	211	30000 <sup>(1)</sup>	35,177	31,659	12	(300),(302),(306),(309),(310)

## MASTER Color CDM MW Elite

<b>210W = 250W</b>	220624	MTO	C183	T9 ø28mm CL	PGZ18	90	3,000	188	24,000	24,200	22,100	12	(300),(302),(306),(309),(310)
<b>210W = 250W</b>	220632	MTO	C183	T9 ø28mm CL	PGZ18	90	4,200	188	24,000	23,100	20,800	12	(300),(302),(306),(309),(310)
<b>315W = 400W</b>	218313	MTO	C182	T9 ø28mm CL	PGZ18	90	3,000	188	30,000	37,800	34,700	12	(300),(302),(306),(309),(310)
<b>315W = 400W</b>	220640	MTO	C182	T9 ø28mm CL	PGZ18	90	4,200	188	30,000	36,200	32,600	12	(300),(302),(306),(309),(310)

## MASTER City White CDO TT Plus

<b>70W</b>	285155	MTO	71A9916	T9 ø32mm CL	E26/E27	90	2,800	156	16,000	7,500	4,875	12	(302),(305),(309),(310)
<b>100W</b>	285270	MTO	71A9917	T15 ø48mm CL	E39/E40	90	2,800	211	18,000	10,700	6,420	12	(302),(305),(309),(310)
<b>150W</b>	285296	MTO	71A9918	T15 ø48mm CL	E39/E40	90	2,800	211	18,000	16,500	9,900	12	(302),(305),(309),(310)
<b>250W</b>	285288	MTO	S50	T15 ø48mm CL	E39/E40	90	3,000	257	18,000	28,300	16,980	12	(301),(302),(305),(309)

<sup>(1)</sup> 30,000 cuando es operada en posición horizontal. En posición vertical la vida se reduce a 20,000 horas.



# Alta Intensidad de Descarga (HID)

Potencia	Clave	Status	ANSI Balastro Voltaje	Bulbo	Base	IRC	Kelvin (CCT)	MOL (mm) [312]	Vida Útil (horas) [308]	Flujo Luminoso Inicial	Flujo Luminoso Promedio	Piezas	Comentarios
<b>MASTER Color CDM ED Retro White</b>													
<b>400W HOR</b>	130948	MTO	M169/S51	ED18 ø57mm CL	E39/E40	85	4,000	248	20,000	34,800	27,840	12	NUEVO ALTO (301),(303),(306),(319)
<b>MASTER Color CDM ED Elite</b>													
<b>50W</b>	419499	MTS	M148/M110	ED17 ø54mm CL	E26/E27	90	3,000	138	16,000	5,300	4,200	12	(300),(302),(306),(309),(310)
<b>50W</b>	419507	MTS	M148/M110	ED17 ø54mm BL	E26/E27	90	3,000	138	16,000	5,100	4,100	12	(300),(302),(306),(309),(310)
<b>50W</b>	429928	MTS	M148/M110	ED17 ø54mm BL	E26/E27	90	4,000	138	16,000	5,100	4,100	12	NUEVO (300),(302),(306),(309),(310)
<b>50W</b>	429878	MTO	M148/M110	ED17 ø54mm BL	E26/E27	90	4,000	138	16,000	5,100	4,100	12	NUEVO (300),(302),(306),(309),(310)
<b>70W</b>	419473	MTS	M143/M98	ED17 ø54mm CL	E26/E27	90	3,000	138	16,000	7,700	6,000	12	(300),(302),(306),(309),(310)
<b>70W</b>	419481	MTS	M143/M98	ED17 ø54mm BL	E26/E27	90	3,000	138	16,000	7,100	5,700	12	(300),(302),(306),(309),(310)
<b>70W</b>	429902	MTS	M143/M98	ED17 ø54mm BL	E26/E27	93	4,000	138	20,000	6,200	5,580	12	NUEVO (300),(302),(306),(309),(310)
<b>70W</b>	429910	MTO	M143/M98	ED17 ø54mm BL	E26/E27	90	4,000	138	20,000	6,200	5,580	12	NUEVO (300),(302),(306),(309),(310)
<b>100W</b>	419515	MTS	M140/M90	ED17 ø54mm CL	E26/E27	90	3,000	138	16,000	11,000	8,800	12	(300),(302),(306),(309),(310)
<b>100W</b>	419523	MTS	M140/M90	ED17 ø54mm BL	E26/E27	90	3,000	138	16,000	10,200	8,160	12	(300),(302),(306),(309),(310)
<b>100W</b>	429886	MTS	M140/M90	ED17 ø54mm BL	E26/E27	90	4,000	138	16,000	10,200	8,160	12	NUEVO (300),(302),(306),(309),(310)
<b>100W</b>	429894	MTO	M140/M90	ED17 ø54mm BL	E26/E27	90	4,000	138	16,000	10,200	8,160	12	NUEVO (300),(302),(306),(309),(310)
<b>100W</b>	429886	MTS	M140/M90	ED17 ø54mm CL	E26/E27	90	4,200	138	20,000	10,000	8,000	12	(300),(302),(306),(309),(310)
<b>100W</b>	429894	MTO	M140/M90	ED17 ø54mm BL	E26/E27	90	4,200	138	20,000	9,500	7,600	12	(300),(302),(306),(309),(310)
<b>MASTER Color CDM ED Pulse Start</b>													
<b>70W</b>	430694	MTO	M143/M98	ED23½ ø74mm CL	E39/E40	85	4,000	197	24,000	5,900	4,150	12	NUEVO ALTO (302),(306),(309),(310)
<b>100W</b>	430686	MTO	M140/M90	ED23½ ø74mm CL	E39/E40	85	4,000	197	24,000	9,000	6,750	12	NUEVO ALTO (302),(306),(309),(310)
<b>150W</b>	154948	MTO	M142/M102	ED23½ ø74mm CL	E39/E40	85	4,000	197	24,000	13,000	9,100	12	ALTO (302),(306),(309),(310)
<b>MASTER Color CDM ED</b>													
<b>70W</b>	281337	MTS	M143/M98	ED17 ø54mm BL	E26/E27	90	4,000	138	20,000	5,500	3,850	12	NUEVO ALTO (300),(302),(306),(309),(310)
<b>100W</b>	208884	MTS	M140/M90	ED17 ø54mm CL	E26/E27	90	4,000	138	20,000	9,500	7,125	12	NUEVO ALTO (300),(302),(306),(309),(310)
<b>100W</b>	281360	MTS	M140/M90	ED17 ø54mm BL	E26/E27	90	4,000	138	20,000	8,400	6,300	12	NUEVO ALTO (300),(302),(306),(309),(310)
<b>150W</b>	377200	MTS	M142/M102	ED17 ø54mm CL	E26/E27	90	4,000	138	20,000	13,000	9,750	12	ALTO (300),(302),(306),(309),(310)
<b>150W</b>	377218	MTS	M142/M102	ED17 ø54mm BL	E26/E27	90	4,000	138	20,000	12,000	9,000	12	ALTO (300),(302),(306),(309),(310)



**CDM ED RW**  
ED18 ø57mm



**CDM ED Elite**  
ED17 ø54mm



**CDM ED**  
ED23 ½ ø74mm



**CDM ED**  
ED17 ø54mm

# Alta Intensidad de Descarga (HID)

Potencia	Clave	Status	ANSI Balastro Voltaje	Bulbo	Base	IRC	Kelvin (CCT)	MOL (mm) [312]	Vida Útil (horas) [308]	Flujo Luminoso Inicial	Flujo Luminoso Promedio	Piezas	Comentarios
<b>MASTER Colour CDM ED (Tubo de Descarga Protegido - Open Rated)</b>													
<b>100W</b>	429968	MTO	M140/M90	ED17 ø54mm CL	E26/E27	90	4,000	138	24,000	7,500	5,625	12	NUEVO ALTO (300),(302),(306),(323),(322),(310)
<b>MASTER Colour CDM ALLSTART (Tubo de Descarga Protegido - Open Rated)</b>													
<b>145W = 175W</b>	411074	MTS	C192	ED28 ø89mm CL	EX39	85	4,000	211	20,000	13,500	10,125	12	(300),(302),(306),(323),(322),(310)
<b>145W = 175W</b>	413195	MTO	C192	ED28 ø89mm BL	EX39	85	4,000	211	20,000	12,500	9,375	12	(300),(302),(306),(323),(322),(310)
<b>205W = 250W</b>	232561	MTS	C184	ED28 ø89mm CL	EX39	85	4,100	211	20,000	19,500	15,600	12	(300),(302),(306),(323),(322),(310)
<b>205W = 250W</b>	236927	MTO	C184	ED28 ø89mm BL	EX39	85	4,100	211	20,000	18,000	14,400	12	(300),(302),(306),(323),(322),(310)
<b>260W = 320W</b>	419374	MTO	C195	ED28 ø89mm CL	EX39	90	4,000	211	20,000	26,800	21,400	12	(300),(302),(306),(323),(322),(310)
<b>260W = 320W</b>	419366	MTO	C195	ED28 ø89mm BL	EX39	90	4,000	211	20,000	26,000	20,800	12	(300),(302),(306),(323),(322),(310)
<b>330W = 400W</b>	411058	MTO	C185	ED28 ø89mm CL	EX39	90	4,000	211	20,000	33,000	26,400	12	(300),(302),(306),(323),(322),(310)
<b>330W = 400W</b>	232595	MTS	C185	ED37 ø117mm CL	EX39	90	4,000	292	24,000	33,000	26,400	6	(300),(302),(306),(323),(322),(310)
<b>330W = 400W</b>	236935	MTO	C185	ED37 ø117mm BL	EX39	90	4,000	292	24,000	31,000	24,800	6	(300),(302),(306),(323),(322),(310)
<b>860W = 1000W</b>	421784	MTO	C194	BT37 ø117mm CL	EX39	90	4,000	245	20,000	82,000	65,000	6	(300),(306),(323),(322),(310),(319)
<b>860W = 1000W</b>	421792	MTO	C194	BT56 ø178mm CL	EX39	90	3,700	391	16,000	78,000	62,400	6	(300),(306),(323),(322),(310),(319)
<b>Metal Halide Pulse Start</b>													
<b>175W</b>	276626	MTS	M152/M137	ED28 ø89mm CL	E39/E40	65	3,700	211	15,000	16,000	11,200	12	(319),(306),(309),(310)
<b>250W</b>	276618	MTS	M153/M138	ED28 ø89mm CL	E39/E40	65	4,300	211	15,000	23,750	16,625	12	(319),(306),(309),(310)
<b>320W</b>	383810	MTS	M154/M132	ED28 ø89mm CL	E39/E40	65	4,100	211	20,000	30,000	21,000	12	(319),(306),(309),(310)
<b>1000W</b>	360198	MTO	M141	BT37 ø117mm CL	E39/E40	65	3,700	292	15,000	120,000	96,000	6	(319),(306),(309),(310)
<b>Metal Halide Pulse Start (Tubo de Descarga Protegido - Open Rated)</b>													
<b>320W</b>	130393	MTO	M154/M132	ED28 ø89mm CL	E39/E40	65	3,700	292	20,000	29,500	20,650	12	(319),(306),(323),(322),(310)



# Alta Intensidad de Descarga (HID)

Potencia	Clave	Status	ANSI Balastro Voltaje	Bulbo	Base	IRC	Kelvin (CCT)	MOL (mm) [312]	Vida Útil (horas) [308]	Flujo Luminoso Inicial	Flujo Luminoso Promedio	Piezas	Comentarios
<b>Metal Halide Switch Start</b>													
175W	313585	MTS	M57	BD17 ø56mm CL	E26/E27	65	4,000	138	10,000	13,500	9,100	12	(302),(306),(309),(310)
175W	313593	MTS	M57	BD17 ø56mm BL	E26/E27	65	3,700	138	10,000	13,000	8,380	12	(302),(306),(309),(310)
175W	244806	MTS	M57	ED28 ø89mm CL	E39/E40	65	4,000	211	10,000	13,500	8,775	12	(302),(306),(309),(310)
175W	244822	MTS	M57	ED28 ø89mm BL	E39/E40	70	3,700	211	10,000	13,000	8,200	12	(302),(306),(309),(310)
250W	244871	MTS	M58	ED28 ø89mm CL	E39/E40	65	4,000	211	10,000	20,500	13,500	12	(302),(306),(309),(310)
250W	244731	MTS	M58	ED28 ø89mm BL	E39/E40	70	3,700	211	10,000	19,475	12,500	12	(302),(306),(309),(310)
400W	278622	MTS	M59	ED28 ø89mm CL	E39/E40	65	4,000	211	20,000	36,000	24,000	12	(302),(306),(309),(310)
400W	244749	MTS	M59	ED37 ø117mm CL	E39/E40	65	4,000	292	20,000	39,000	25,350	6	(302),(306),(309),(310)
400W	244798	MTS	M59	ED37 ø117mm BL	E39/E40	70	3,700	292	20,000	38,000	22,800	6	(302),(306),(309),(310)
1000W	415224	MTS	M47	BT56 ø178mm CL	E39/E40	65	3,700	391	12,000	114,000	79,800	6	(302),(306),(309),(310)
1000W	321505	MTS	M47	BT37 ø117mm CL	E39/E40	65	3,700	292	12,000	110,000	71,500	6	(302),(306),(309),(310)
1500W	131623	MTS	M48	BT56 ø178mm CL	E39/E40	60	3,700	391	3,000	155,000	124,000	6	(302),(306),(309),(310)
<b>Metal Halide Switch Start (Tubo de Descarga Protegido - Open Rated)</b>													
175W	281196	MTO	M57	ED28 ø89mm CL	EX39	65	3,800	211	10,000	15,000	12,000	12	(319),(306),(323),(322),(310)
250W	281246	MTO	M58	ED28 ø89mm CL	EX39	65	3,800	211	10,000	22,000	16,500	12	(319),(306),(323),(322),(310)
360W	130674	MTO	M59/M165	ED37 ø117mm CL	EX39	65						6	(319),(306),(323),(322),(310)
400W	133322	MTO	M59	ED37 ø117mm CL	EX39	65	4,000	292	20,000	38,000	26,600	6	(319),(306),(323),(322),(310)
<b>MASTER HPI T (Aditivo Metálico Tubular Sistema Europeo)</b>													
250W	258731	MTO	S50/Reactor	T15 ø47mm CL	E39/E40	65	4,500	257	20,000	20,500	12,915	12	(321),(305),(309),(310)
400W	256495	MTO	S51/Reactor	T15 ø47mm CL	E39/E40	65	4,500	286	20,000	32,000	20,160	12	(321),(305),(309),(310)
<b>Metal Halide MHN (Aplicaciones Deportivas)</b>													
2000W (SE)	282111	MTO	400V	TD13 ø40mm CL	GX22	90	5,300	196.0	3,000	220,000	176,000	1	(302),(306),(323),(310)
1800W (SA)	152017	MTO	230V	TD13 ø40mm CL	X830R	90	5,600	369.0	3,700	160,000	128,000	1	(319),(306),(323),(310)
1800W (SA)	313601	MTO	230V	TD13 ø40mm CL	(P)SFC	90	5,600	364.0	6,100	200,000	160,000	1	(319),(306),(323),(310)



# Alta Intensidad de Descarga (HID)

Potencia	Clave	Status	ANSI Balastro Voltaje	Bulbo	Base	IRC	Kelvin (CCT)	MOL (mm) [312]	Vida Útil (horas) [308]	Flujo Luminoso Inicial	Flujo Luminoso Promedio	Piezas	Comentarios
<b>Sodio de Alta Presión Ceramalux</b>													
35W	409797	MTS	S76	BD17 ø56mm CL	E26/E27	20	2,100	138	24,000	2,250	2,025	12	(302),(306),(309),(301)
50W	409805	MTS	S68	BD17 ø56mm CL	E26/E27	20	2,100	138	24,000	4,000	3,600	12	(302),(306),(309),(301)
70W	331926	MTS	S62	BD17 ø56mm CL	E26/E27	20	2,100	138	24,000	6,300	5,850	12	(302),(306),(309),(301)
70W	368696	MTS	S62	ED23½ ø74mm CL	E39/E40	20	2,100	197	24,000	6,500	5,670	12	ALTO (302),(306),(309),(301)
100W	344465	MTS	S54	BD17 ø56mm CL	E26/E27	20	2,100	138	24,000	9,500	8,550	12	(302),(306),(309),(301)
100W	368720	MTS	S54	ED23½ ø74mm CL	E39/E40	20	2,100	197	24,000	9,400	8,460	12	ALTO (302),(306),(309),(301)
150W	303479	MTS	S55	BD17 ø56mm CL	E26/E27	20	2,100	138	24,000	16,000	14,400	12	(302),(306),(309),(301)
150W	368746	MTS	S55	ED23½ ø74mm CL	E39/E40	20	2,100	197	24,000	15,800	14,220	12	ALTO (302),(306),(309),(301)
250W	368795	MTS	S50	ED18 ø57mm CL	E39/E40	20	2,100	248	24,000	27,000	24,300	12	ALTO (302),(306),(309),(301)
400W	368811	MTS	S51	ED18 ø57mm CL	E39/E40	20	2,100	248	24,000	50,000	45,000	12	ALTO (302),(306),(309),(301)
1000W	368837	MTO	S52	ED25 ø79mm CL	E39/E40	20	2,100	383	24,000	140,000	126,000	6	ALTO (302),(306),(309),(301)

## Sodio de Alta Presión Ceramalux AGRO

430W	317107	MTO	S51/S145	ED18 ø57mm CL	E39/E40	20	2,100	248	16,000	54,000	48,600	12	ALTO (302),(306),(309),(301)
------	--------	-----	----------	---------------	---------	----	-------	-----	--------	--------	--------	----	------------------------------

## Sodio de Alta Presión - MASTER SON T PIA Plus

70W	128298	MTO	71A9916	T9 ø32mm CL	E26/E27	25	2,000	156	30,000	6,600	5,346	12	(302),(305),(301)
100W	124297	MTS	71A9917	T15 ø48mm CL	E39/E40	25	2,000	211	36,000	10,700	9,523	12	(302),(305),(301)
150W	112607	MTS	71A9918	T15 ø48mm CL	E39/E40	25	2,000	211	36,000	18,000	16,920	12	(302),(305),(301)
250W	128314	MTO	S50	T15 ø48mm CL	E39/E40	25	2,000	257	36,000	33,300	31,302	12	(302),(305),(301)
400W	505099	MTO	S51	T15 ø48mm CL	E39/E40	25	2,000	283	24,000	56,500	49,720	12	(302),(305),(301)



**Ceramalux**  
BD17 ø56mm

**Ceramalux**  
ED23½ ø74mm

**Ceramalux**  
ED18 ø57mm

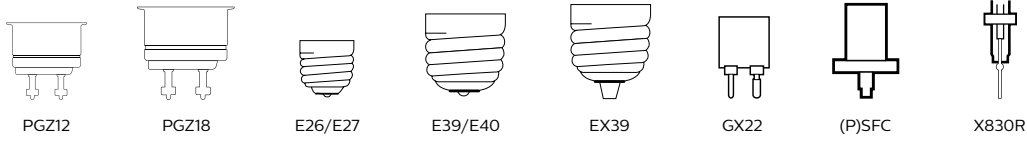
**Ceramalux**  
ED25 ø79mm

**SON T PIA Plus**  
T9 ø32mm

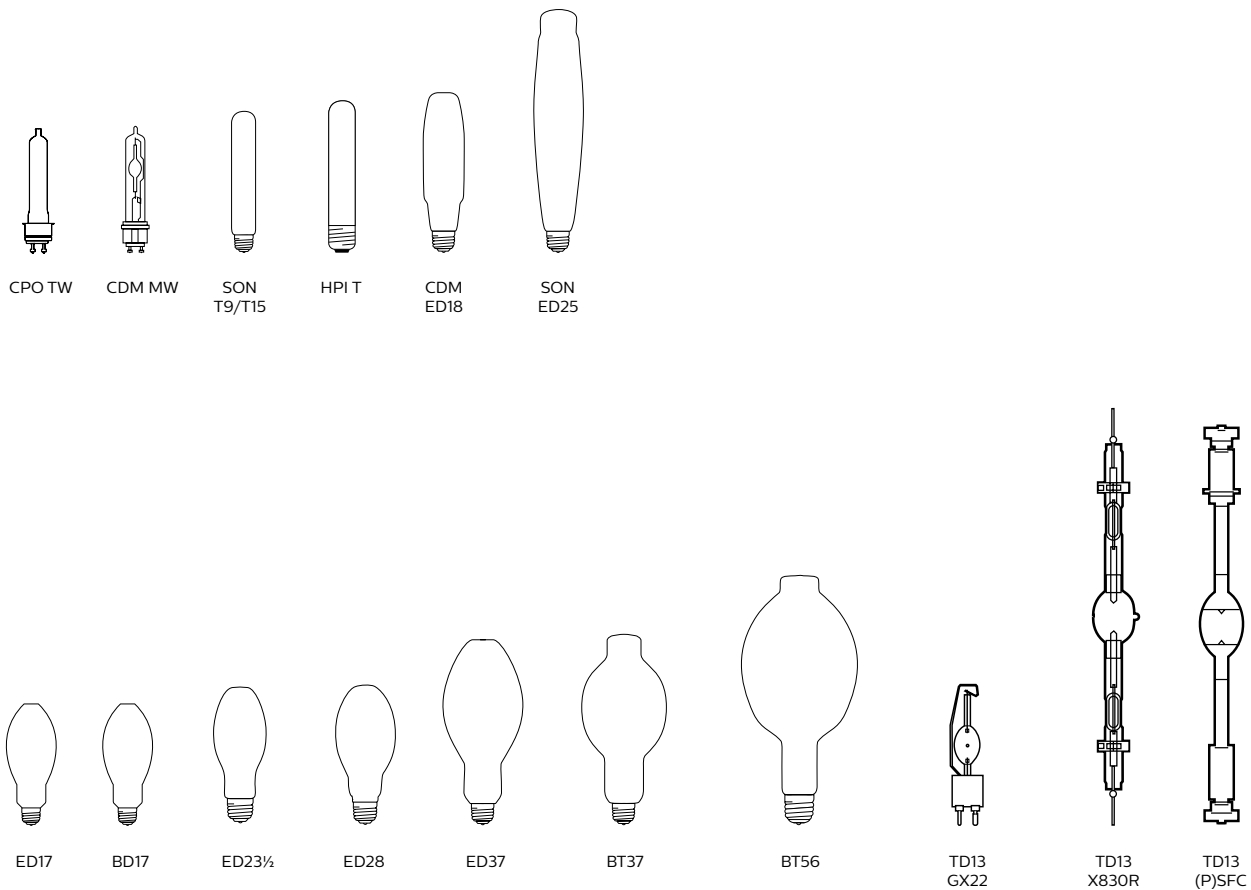
**SON T PIA Plus**  
T15 ø48mm

# Alta Intensidad de Descarga (HID)

## Tipos de Base



## Tipos de Bulbo



# Alta Intensidad de Descarga Compactas sin Reflector

Potencia	Clave	Status	ANSI Balastro Voltaje	Bulbo	Base	IRC	Kelvin (CCT)	MOL (mm) [312]	Vida Útil (horas) [308]	Flujo Luminoso Inicial	Flujo Luminoso Promedio	Piezas	Comentarios
<b>Mini MASTER Color CDM Tm Elite</b>													
35W	288670	MTO	M156	Tm4 ø13mm	GU6.5	90	3,000	57	15,000	3,900	3,354	12	(300), (301), (302), (307), (309)
50W	288597	MTO	M110/M148	Tm4 ø13mm	GU6.5	90	3,000	57	15,000	5,200	4,472	12	(300), (301), (302), (307), (309)
<b>MASTER Color CDM TC Elite</b>													
35W	278648	MTO	M130/C130	TC4 ø15mm	G8.5	90	3,000	85	15,000	4,000	3,280	12	(300), (301), (302), (305), (309)
35W	288944	MTO	M130/C130	TC4 ø15mm	G8.5	90	4,200	85	15,000	3,700	2,812	12	(300), (301), (302), (305), (309)
50W	288548	MTO	M110/M148	TC4 ø15mm	G8.5	90	3,000	85	15,000	5,400	4,428	12	(300), (301), (302), (305), (309)
70W	285833	MTO	M98/M139/M143	TC4 ø15mm	G8.5	90	3,000	85	15,000	7,650	6,273	12	(300), (301), (302), (305), (309)
70W	288589	MTO	M98/M139/M143	TC4 ø15mm	G8.5	90	4,200	85	15,000	7,400	5,624	12	(300), (301), (302), (305), (309)
<b>MASTER Color CDM T Elite</b>													
35W	291450	MTS	M130/C130	T6 ø20mm	G12	90	3,000	103	15,000	4,000	3,280	12	(300), (301), (302), (305), (309)
35W	256479	MTO	M130/C130	T6 ø20mm	G12	90	4,200	103	15,000	3,800	3,078	12	(300), (301), (302), (305), (309)
50W	256578	MTO	M110/M148	T6 ø20mm	G12	90	3,000	103	15,000	5,400	4,428	12	(300), (301), (302), (305), (309)
50W	256560	MTO	M110/M148	T6 ø20mm	G12	90	4,200	103	15,000	5,000	4,300	12	(300), (301), (302), (305), (309)
70W	285338	MTS	M98/M139/M143	T6 ø20mm	G12	90	3,000	103	15,000	7,750	6,355	12	(300), (301), (302), (305), (309)
70W	255943	MTO	M98/M139/M143	T6 ø20mm	G12	90	4,200	103	15,000	7,500	6,075	12	(300), (301), (302), (305), (309)
100W	256461	MTO	M90/M140	T6 ø20mm	G12	90	3,000	110	15,000	11,000	8,800	12	(300), (301), (302), (305), (309)
150W	218909	MTO	M102/M142	T6 ø20mm	G12	90	3,000	110	12,000	15,000	12,300	12	(300), (301), (302), (305), (309)



# Alta Intensidad de Descarga Compactas sin Reflector

Potencia	Clave	Status	ANSI Balastro Voltaje	Bulbo	Base	IRC	Kelvin (CCT)	MOL (mm) [312]	Vida Útil (horas) [308]	Flujo Luminoso Inicial	Flujo Luminoso Promedio	Piezas	Comentarios
<b>MASTER Color CDM T Evolution</b>													
<b>20W</b>	255901	MTO	M156/C156	TC4 ø15mm	G12	90	3,000	103	20,000	2,050	1,948	12	(300), (301), (302), (305), (309)
<b>35W</b>	255885	MTO	M130/C130	TC4 ø15mm	G12	90	3,000	103	20,000	4,300	4,085	12	(300), (301), (302), (305), (309)
<b>MASTER Color CDM TC Evolution</b>													
<b>20W</b>	255919	MTO	M156/C156	TC4 ø15mm	G8.5	90	3,000	85	20,000	2,050	1,948	12	(300), (301), (302), (305), (309)
<b>35W</b>	255893	MTO	M130/C130	TC4 ø15mm	G8.5	90	3,000	85	20,000	4,300	4,085	12	(300), (301), (302), (305), (309)
<b>MASTER Color CDM TC Elite Fresh</b>													
<b>70W</b>	288837	MTO	M98/M139/M143	TC4 ø15mm	G8.5	70	4,000	85.0	15,000	6,000	4,740	12	(300), (301), (302), (304), (305), (306)
<b>MASTER Color CDM T Elite Fresh</b>													
<b>70W</b>	288779	MTO	M98/M139/M143	T6 ø20mm	G12	70	4,000	103.0	15,000	6,000	4,740	12	(300), (301), (302), (304), (305), (306)
<b>MASTER Color CDM TC Elite Warm</b>													
<b>70W</b>	288712	MTO	M98/M139/M143	TC4 ø15mm	G8.5	90	2,600	85.0	15,000	6,500	5,330	12	(300), (301), (302), (305), (309)
<b>MASTER Color CDM T Elite Warm</b>													
<b>70W</b>	288811	MTO	M98/M139/M143	T6 ø20mm	G12	90	2,600	103.0	15,000	6,500	5,330	12	(300), (301), (302), (305), (309)



# Alta Intensidad de Descarga Compactas sin Reflector

Potencia	Clave	Status	ANSI Balastro Voltaje	Bulbo	Base	IRC	Kelvin (CCT)	MOL (mm) [312]	Vida Útil (horas) [308]	Flujo Luminoso Inicial	Flujo Luminoso Promedio	Piezas	Comentarios
<b>Mini MASTER Color CDM Tm</b>													
20W	162529	MTO	M175	BT5 ø11mm	PGJ5	80	3,000	52	12,000	1,650	990	12	(300), (301), (302), (305), (309)
20W	162537	MTO	M175	BT5 ø11mm	PGJ5	80	3,000	52	12,000	1,650	990	12	(300), (301), (302), (305), (309)
35W	288670	MTO	M130/C130	BT5 ø11mm	PGJ5	90	3,000	55	12,000	3,000	2,100	12	(300), (301), (302), (305), (309)
35W	233213	MTO	M130/C130	BT5 ø11mm	PGJ5	90	3,000	55	12,000	3,000	2,100	12	(300), (301), (302), (305), (309)
<b>MASTER Color CDM TD</b>													
70W	110353	MTS	C85EM98/M139/M143	TD6 ø22mm	RX7s	80	3,000	120.0	15,000	6,500	4,550	12	(300), (301), (304), (305)
70W	123539	MTS	C85EM98/M139/M143	TD6 ø22mm	RX7s	90	4,200	120.0	15,000	6,000	4,200	12	(300), (301), (304), (305)
150W	110972	MTS	C81E/M102/M142	TD7 ø25mm	RX7s	90	3,000	137.0	15,000	13,250	9,275	12	(300), (301), (304), (305)
150W	110980	MTS	C81E/M102/M142	TD7 ø25mm	RX7s	95	4,200	137.0	15,000	14,200	9,940	12	(300), (301), (304), (305)
<b>Metal Halide de Doble Contacto MHN TD</b>													
70W	605410	MTS	M85	TD6 ø22mm	RX7s	80	4,200	120.0	10,000	5,000	3,500	12	(300), (301), (304), (305)
150W	110890	MTS	M81	TD7 ø25mm	RX7s	85	4,200	137.0	10,000	11,600	8,120	12	(300), (301), (304), (305)



# Alta Intensidad de Descarga Compactas sin Reflector

## Tipos de Base

---



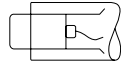
GU6.5



G8.5



G12



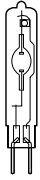
RX7s

## Tipos de Bulbo

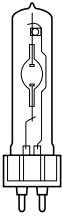
---



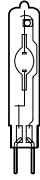
CDM Tm Elite  
T4



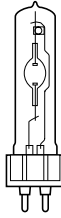
CDM TC Elite  
TC4



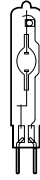
CDM T Elite  
T6



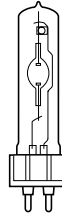
CDM TC Elite Fresh  
TC4



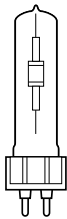
CDM T Elite Fresh  
T6



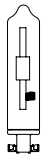
CDM TC Elite Warm  
TC4



CDM T Elite Warm  
T6



CDM T  
T6



CDM Tm Mini  
BT5



CDM TD  
TD6



MHN TD  
T6

# Alta Intensidad de Descarga Compactas con Reflector

Potencia	Clave	Status	ANSI Balastro Voltaje	Bulbo	Base	IRC	Kelvin (CCT)	MOL (mm) [312]	Vida Útil (horas) [308]	Flujo Luminoso Inicial	Intensidad Luminosa (Candelas)	Piezas	Comentarios
----------	-------	--------	-----------------------	-------	------	-----	--------------	----------------	-------------------------	------------------------	--------------------------------	--------	-------------

## MASTER Color CDM-RM Mini MR16 Elite

20W	421651	MTO	M156	MR16 ø50mm 10D	GX10	85	3000	65	15000	1,050	13,500	6	(300), (301), (302)
20W	421669	MTO	M156	MR16 ø50mm 25D	GX10	85	3000	65	15000	1,050	4,500	6	(300), (301), (302)
20W	421677	MTO	M156	MR16 ø50mm 40D	GX10	85	3000	65	15000	1,050	2,100	6	(300), (301), (302)
35W	288332	MTO	M130	MR16 ø50mm 10D	GX10	90	3000	65	15000	2,400	20,000	6	(300), (301), (302)
35W	288373	MTO	M130	MR16 ø50mm 25D	GX10	90	3000	65	15000	2,400	8,500	6	(300), (301), (302)
35W	288324	MTO	M130	MR16 ø50mm 40D	GX10	90	3000	65	15000	2,400	4,400	6	(300), (301), (302)
50W	288357	MTO	M110	MR16 ø50mm 25D	GX10	90	3000	65	12000	3,500	11,500	6	(300), (301), (302)
50W	288340	MTO	M110	MR16 ø50mm 40D	GX10	90	3000	65	12000	3,500	7,000	6	(300), (301), (302)
50W	288696	MTO	M110	MR16 ø50mm 60D	GX10	90	3000	65	12000	3,500	3,000	6	(300), (301), (302)

## MASTER Color CDM R PAR20

35W	260125	MTS	M156/M175	PAR20 ø64mm 10D	E26/E27	80	3,000	92	9,000	2,000	23,000	12	(300), (301), (302)
35W	260117	MTS	M156/M175	PAR20 ø64mm 30D	E26/E27	80	3,000	92	9,000	2,000	5,000	12	(300), (301), (302)
35W	260208	MTO	M156/M175	PAR20 ø64mm 10D	E26/E27	90	4,200	92	6,000	1,950	21,500	12	(300), (301), (302)
35W	260190	MTS	M156/M175	PAR20 ø64mm 30D	E26/E27	90	4,200	92	6,000	1,950	5,000	12	(300), (301), (302)

## MASTER Color CDM R PAR30 L

35W	158840	MTS	M130/C130	PAR30L ø95mm 10D	E26/E27	80	3,000	120	9,000	2,200	44,000	6	(300), (301), (302)
35W	158964	MTS	M130/C130	PAR30L ø95mm 30D	E26/E27	80	3,000	120	9,000	2,200	7,400	6	(300), (301), (302)
70W	158972	MTS	M98/M143/M139	PAR30L ø95mm 10D	E26/E27	85	3,000	120	11,000	5,000	68,000	6	(300), (301), (302)
70W	200113	MTS	M98/M143/M139	PAR30L ø95mm 30D	E26/E27	95	4,200	120	11,000	4,300	13,000	6	(300), (301), (302)
70W	159079	MTS	M98/M143/M139	PAR30L ø95mm 40D	E26/E27	85	3,000	120	11,000	5,000	10,000	6	(300), (301), (302)
70W	200121	MTO	M98/M143/M139	PAR30L ø95mm 10D	E26/E27	85	4,200	120	11,000	5,000	63,000	6	(300), (301), (302)
70W	260158	MTO	M98/M143/M139	PAR30L ø95mm 30D	E26/E27	95	4,200	120	11,000	4,300	9,000	6	<b>NUEVO</b> (300), (301), (302)
70W	200147	MTS	M98/M143/M139	PAR30L ø95mm 40D	E26/E27	95	4,200	120	11,000	4,300	9,000	6	(300), (301), (302)



MR16



PAR20



PAR30 L

# Alta Intensidad de Descarga Compactas con Reflector

Potencia	Clave	Status	ANSI Balastro Voltaje	Bulbo	Base	IRC	Kelvin (CCT)	MOL (mm) [312]	Vida Útil (horas) [308]	Flujo Luminoso Inicial	Intensidad Luminosa (Candelas)	Piezas	Comentarios
<b>MASTER Color CDM R PAR38</b>													
70W	222497	MTS	M98/M143/M139	PAR38 ø121mm 30D	E26/E27	85	3,000	138	12,500	4,100	12,000	12	(300), (301), (302)
70W	288738	MTS	M98/M143/M139	PAR38 ø121mm 25D	E26/E27	90	4,000	138	12,500	3,700	18,000	12	(300), (301), (302)
70W	222505	MTO	M98/M143/M139	PAR38 ø121mm 15D	E26/E27	85	3,000	138	12,500	4,100	40,000	12	(300), (301), (302)
70W	288720	MTO	M98/M143/M139	PAR38 ø121mm 25D	E26/E27	90	4,000	138	12,500	3,700	15,000	12	(300), (301), (302)
100W	244764	MTS	M90/M140	PAR38 ø121mm 15D	E26/E27	80	3,000	138	12,500	6,200	65,000	12	(300), (301), (302)
100W	288787	MTS	M90/M140	PAR38 ø121mm 25D	E26/E27	90	4,000	138	12,500	5,700	24,000	12	(300), (301), (302)
100W	244772	MTO	M90/M140	PAR38 ø121mm 15D	E26/E27	80	3,000	138	12,500	6,200	52,000	12	(300), (301), (302)
100W	288761	MTO	M90/M140	PAR38 ø121mm 25D	E26/E27	90	4,000	138	12,500	5,700	19,000	12	(300), (301), (302)

## MASTER Color CDM R111

35W	129866	MTS	M130/C130	R ø111mm 10D	GX8.5	80	3,000	95	10,000	1,100	35,000	6	(300), (301), (302)
35W	129874	MTS	M130/C130	R ø111mm 24D	GX8.5	80	3,000	95	10,000	1,350	8,500	6	(300), (301), (302)
35W	163907	MTS	M130/C130	R ø111mm 40D	GX8.5	80	3,000	95	10,000	1,350	4,000	6	(300), (301), (302)
35W	238766	MTO	M130/C130	R ø111mm 10D	GX8.5	90	4,200	95	10,000	1,100	35,000	6	(300), (301), (302)
35W	235275	MTO	M130/C130	R ø111mm 24D	GX8.5	90	4,200	95	10,000	1,350	8,500	6	(300), (301), (302)
35W	235309	MTO	M130/C130	R ø111mm 40D	GX8.5	90	4,200	95	10,000	1,350	4,000	6	(300), (301), (302)
50W	259580	MTO	M110	R ø111mm 10D	GX8.5	90	3,000	95	10,000	1,350	4,000	6	NUEVO (300), (301), (302)
50W	259614	MTO	M110	R ø111mm 24D	GX8.5	90	3,000	95	10,000	1,350	4,000	6	NUEVO (300), (301), (302)
50W	259648	MTO	M110	R ø111mm 40D	GX8.5	90	3,000	95	10,000	1,350	4,000	6	NUEVO (300), (301), (302)
70W	163865	MTS	M98/M143/M139	R ø111mm 10D	GX8.5	85	3,000	95	10,000	2,500	50,000	6	(300), (301), (302)
70W	163857	MTS	M98/M143/M139	R ø111mm 24D	GX8.5	85	3,000	95	10,000	2,850	15,000	6	(300), (301), (302)
70W	163899	MTS	M98/M143/M139	R ø111mm 40D	GX8.5	85	3,000	95	10,000	2,850	9,000	6	(300), (301), (302)



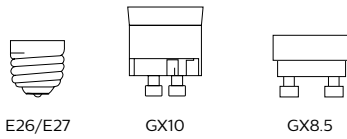
PAR38



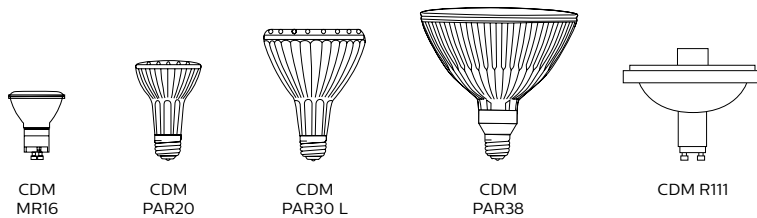
R111

# Alta Intensidad de Descarga Compactas con Reflector

## Tipos de Base



## Tipos de Bulbo



## Comentarios Adicionales

- NUEVO** Producto nuevo. No hacía parte del catálogo anterior.
- (300)** Tecnología FadeBlock® - Bulbo de vidrio con filtro de protección contra rayos UV.
- (301)** No utilizar con dimmers o cualquier sistema de atenuación.
- (302)** Posición de operación universal.
- (303)** Posición de operación horizontal p10.
- (304)** Posición de operación horizontal p45.
- (305)** Flujo luminoso promedio medido aproximadamente al 80% de la vida útil de la lámpara.
- (306)** Flujo luminoso promedio medido aproximadamente al 50% de la vida útil de la lámpara.
- (307)** Flujo luminoso promedio medido aproximadamente al 30% de la vida útil de la lámpara.
- (308)** Vida útil promedio obtenida luego de medir un grupo representativo de lámparas bajo condiciones controladas en un laboratorio y con ciclos de encendido de 10 horas o más. Esta se define cuando el 50% de la muestra medida sobrevive a la prueba. Para las lámparas de Sodio de Alta Presión (HPS), de 24,000 horas de duración, la vida útil promedio es obtenida cuando el 67% de la muestra medida sobrevive a la prueba.
- (309)** Producto certificado bajo la Norma Oficial Mexicana NOM-028-ENER-2010
- (310)** Producto atenuable. Instalarlos con balastos y sistemas de control adecuados.
- (312)** Longitud en milímetros medida desde el punto más bajo (base) hasta la parte más alta de la lámpara.
- (319)** Posición de operación vertical  $\pm 15^\circ$
- (322)** Lámpara con tubo de descarga protegido
- (323)** Producto exento de la Norma Oficial Mexicana NOM-028-ENER-2010



# Contenido

	<b>Lámparas Halógenas R111</b> Pág. 56		<b>Lámparas Halógenas Dicroicos MR16</b> Pág. 56		<b>Lámparas Halógenas Dicroicos MR11</b> Pág. 56
	<b>Lámparas Halógenas PAR</b> Pág. 57		<b>Lámparas Halógenas Especialidades</b> Pág. 58		<b>Lámparas Halógenas EcoVantage</b> Pág. 58
	<b>Lámparas Halógenas EcoVantage Decorativo</b> Pág. 58				



## Lámparas **HALÓGENAS**

Brillo, color y calidad de luz

**PHILIPS**

# Lámparas Halógenas

Potencia	Clave	Status	Bulbo	Base	Equivalencia	Voltaje	Apertura	MOL (mm)	Vida Útil (horas)	Kelvin (CCT)	Intensidad Luminosa (Candelas)	Piezas	Comentarios
----------	-------	--------	-------	------	--------------	---------	----------	----------	-------------------	--------------	--------------------------------	--------	-------------

## Halógenos MASTER Line Reflector R111 (mm)

30W	247056	MTO	ALR 111 ES	G53	= 50W	12V	8	65	4,000	3,000	23,000	6	Ahorradoras de energía (40%)
30W	247213	MTO	ALR 111 ES	G53	= 50W	12V	24	65	4,000	3,000	4,000	6	Ahorradoras de energía (40%)
45W	247197	MTO	ALR 111 ES	G53	= 75W	12V	8	65	4,000	3,000	33,000	6	Ahorradoras de energía (40%)
45W	247163	MTO	ALR 111 ES	G53	= 75W	12V	24	65	4,000	3,000	5,300	6	Ahorradoras de energía (40%)
45W	247122	MTO	ALR 111 ES	G53	= 75W	12V	45	65	4,000	3,000	1,900	6	Ahorradoras de energía (40%)
60W	247064	MTO	ALR 111 ES	G53	= 100W	12V	8	65	4,000	3,000	48,000	6	Ahorradoras de energía (40%)
60W	247049	MTO	ALR 111 ES	G53	= 100W	12V	24	65	4,000	3,000	8,500	6	Ahorradoras de energía (40%)
60W	247148	MTO	ALR 111 ES	G53	= 100W	12V	45	65	4,000	3,000	2,800	6	Ahorradoras de energía (40%)

## Halógenos Reflector R111 (mm)

50W	125310	MTS	ALR 111	G53	n/a	12V	24	61	3,000	2,900	4,000	6	
50W	125302	MTS	ALR 111	G53	n/a	12V	8	61	3,000	2,900	23,000	6	
60W	165662	MTS	ALR 111	GU10	n/a	130V	24	61	2,000	2,900	4,000	6	

## Halógenos Dicroicos MASTER Line MR16 con Tecnología IRC

20W	217224	MTO	MR16 ES	GU5.3	= 35W	12V	8	47.6	5,000	2,900	6,500	20	Ahorradoras de energía (40%)
20W	217216	MTS	MR16 ES	GU5.3	= 35W	12V	36	47.6	5,000	2,900	1,000	20	Ahorradoras de energía (40%)
35W	217232	MTO	MR16 ES	GU5.3	= 50W	12V	8	47.6	5,000	2,900	13,500	20	Ahorradoras de energía (40%)
35W	217240	MTO	MR16 ES	GU5.3	= 50W	12V	24	47.6	5,000	2,900	4,400	20	Ahorradoras de energía (40%)
35W	217257	MTS	MR16 ES	GU5.3	= 50W	12V	36	47.6	5,000	2,900	2,200	20	Ahorradoras de energía (40%)
35W	217281	MTO	MR16 ES	GU5.3	= 50W	12V	60	47.6	5,000	2,900	1,050	20	Ahorradoras de energía (40%)
45W	217307	MTO	MR16 ES	GU5.3	= 65W	12V	8	47.6	5,000	2,900	14,000	20	Ahorradoras de energía (40%)
45W	217315	MTO	MR16 ES	GU5.3	= 65W	12V	36	47.6	5,000	2,900	2,850	20	Ahorradoras de energía (40%)
45W	217331	MTO	MR16 ES	GU5.3	= 65W	12V	60	47.6	5,000	2,900	1,300	20	Ahorradoras de energía (40%)

## Halógenos Dicroicos Essential MR11

20W	224345	MTS	MR11	GU4	n/a	12V	36	41.3	3,000	2,900	690	50	
-----	--------	-----	------	-----	-----	-----	----	------	-------	-------	-----	----	--



R111 ES  
G53



R111  
G53



R111  
GU10



MR16  
GU5.3



MR11  
GU4

# Lámparas Halógenas

Potencia	Clave	Status	Bulbo	Base	Equivalencia	Voltaje	Apertura	MOL (mm)	Vida Útil (horas)	Kelvin (CCT)	Intensidad Luminosa (Candelas)	Piezas	Comentarios
<b>Halógenos Dicroicos ESSENTIAL Line MR16</b>													
20W	128958	MTS	MR16	GU5.3	n/a	12V	36	47.6	2,000	2,900	400	50	
35W	128918	MTS	MR16	GU5.3	n/a	12V	36	47.6	2,000	2,900	1,000	10	Blister x1
50W	128900	MTS	MR16	GU5.3	n/a	12V	36	47.6	2,000	2,900	1,200	50	
<b>Halógenos Dicroicos TWIST Line &amp; JDR</b>													
35W	164111	MTS	MR16	E26/E27	n/a	130V	40	75	2,000	2,900	250	10	
50W	164129	MTS	MR16	E26/E27	n/a	130V	40	75	2,000	2,900	400	10	
50W	164095	MTS	MR16	GU10	n/a	130V	40	50.8	2,000	2,900	400	50	
<b>Halógenos Reflector PAR16</b>													
45W	134122	MTO	PAR16	E26/E27	n/a	120V	27	81.3	3,000	2,900	420	6	Blister x1
60W	134130	MTO	PAR16	E26/E27	n/a	120V	27	81.3	3,000	2,900	580	6	Blister x1
<b>Halógenos Reflector PAR20</b>													
50W	229062	MTS	PAR20	E26/E27	n/a	120V	10	85.7	3,000	2,900	520	15	
50W	229211	MTS	PAR20	E26/E27	n/a	120V	25	85.7	3,000	2,900	550	15	
<b>Halógenos Reflector PAR30</b>													
75W	229435	MTS	PAR30L	E26/E27	n/a	130V	25	114.3	5,000	2,900	1,050	15	
75W	229450	MTS	PAR30L	E26/E27	n/a	130V	40	114.3	5,000	2,900	1,050	15	
<b>Halógenos Reflector PAR38</b>													
60W	144907	MTS	PAR38	E26/E27	n/a	130V	25	134.9	5,000	2,900	800	12	
90W	236513	MTS	PAR38	E26/E27	n/a	130V	25	134.9	5,000	2,900	1,350	12	



# Lámparas Halógenas

Potencia	Clave	Status	Bulbo	Base	Acabado	Voltaje	Apertura	MOL (mm)	Vida Útil (horas)	Kelvin (CCT)	Lumen Inicial	Piezas	Comentarios
----------	-------	--------	-------	------	---------	---------	----------	----------	-------------------	--------------	---------------	--------	-------------

## Cápsulas Halógenas CAPSU Line

20W	163329	MTS	T3	G4	Claro	12V	n/a	31.8	2,000	2,900	310	30	Blister x3
50W	163337	MTS	T4	GY6.35	Claro	12V	n/a	44.5	2,000	2,900	800	30	Blister x3

## Cápsulas Halógenas CLICK Line

40W	242552	MTS	T13 ø12.8 mm	G9	Claro	120V	n/a	44.6	3,000	2,900	490	5	Blister x1
-----	--------	-----	--------------	----	-------	------	-----	------	-------	-------	-----	---	------------

## Halógenos EcoVantage Ahorradores de Energía

29W=40W	286740	MTS	A55	E26/E27	Claro	120V	n/a	9.5	1,000	2,900	406	48	Ahorradoras de energía (28%)
43W=60W	286765	MTS	A55	E26/E27	Claro	120V	n/a	9.5	1,000	2,900	750	48	Ahorradoras de energía (28%)
72W=100W	286807	MTS	A55	E26/E27	Claro	120V	n/a	9.5	1,000	2,900	1,490	48	Ahorradoras de energía (28%)

## Halógenos EcoVantage Decorativos Ahorradores de Energía

43W=60W	423822	MTS	A15	E26/E27	Claro	120V	n/a	89	1,250	2,900	750	12	Ahorradoras de energía (28%)
25W=40W	424234	MTS	G25	E26/E27	Claro	120V	n/a	113.5	2,500	2,900	280	12	Ahorradoras de energía (38%)
25W=40W	424259	MTS	BA11	E26/E27	Claro	120V	n/a	97.8	2,500	2,900	280	6	Ahorradoras de energía (33%). Blister x2
25W=40W	424127	MTS	B11	E12	Claro	120V	n/a	96.11	2,500	2,900	280	6	Ahorradoras de energía (38%). Blister x2
40W=60W	424119	MTS	B11	E12	Claro	120V	n/a	96.11	2,500	2,900	540	6	Ahorradoras de energía (33%). Blister x2



# Lámparas Halógenas

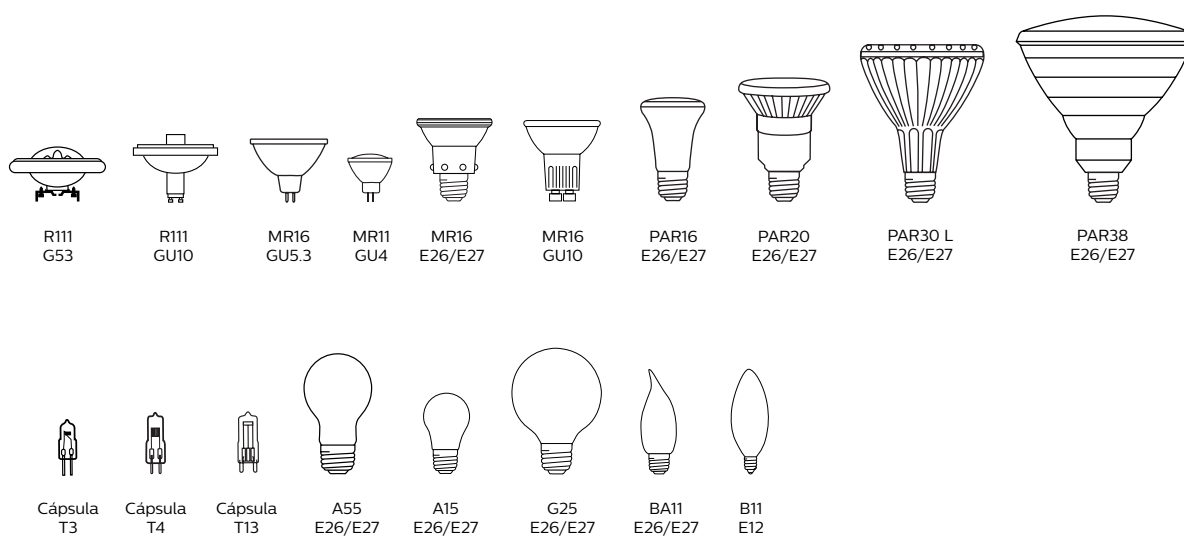
## Tipos de Base

---



## Tipos de Bulbo

---



# Contenido

	<b>Lámparas Incandescentes Reflectores</b> Pág. 62		<b>Lámparas Incandescentes Decorativas tipo Vela ó Flama</b> Pág. 62		<b>Lámparas Incandescentes Decorativas tipo Globo ó Corona</b> Pág. 63
	<b>Lámparas Incandescentes Usos Especiales Hornos y Refrigeradores</b> Pág. 63				



## Lámparas **INCANDESCENTES**

Vibrante, clara y tradicional

**PHILIPS**

# Lámparas Incandescentes

Potencia	Clave	Status	Bulbo	Base	Acabado	Voltaje	Apertura	MOL (mm)	Vida Útil (horas)	Flujo Luminoso Inicial	Eficacia Luminosa (Lm/W)	Piezas	Comentarios
----------	-------	--------	-------	------	---------	---------	----------	----------	-------------------	------------------------	--------------------------	--------	-------------

## Reflectores Incandescentes

25W	133363	MTS	R14	E17	Frosteado	120V	Spot	67	1,500	150	6	6	
45W	223149	MTS	R20	E26/E27	Frosteado	120V	Spot	100	1,500	385	8.56	12	Paquete de 3 piezas
65W	248765	MTS	BR30	E26/E27	Frosteado	125V	Flood	137	2,000	635	9.77	12	
300W	144329	MTS	R40	E26/E27	Frosteado	12V	Flood	171	2,000	2,960	9.87	24	Aplicaciones en albercas de 12V

## Focos Incandescentes Decorativos tipo Vela ó Flama

25W	393702	MTS	F15	E26/E27	Claro	125V	n/a	114	1,000	150	6	60	
25W	393728	MTS	F15	E26/E27	Iridiscente	125V	n/a	114	1,000	150	6	60	
40W	393736	MTS	F15	E26/E27	Claro	125V	n/a	114	1,000	385	9.63	60	
40W	393751	MTS	F15	E26/E27	Iridiscente	125V	n/a	114	1,000	370	9.25	60	
25W	163394	MTS	B35	E26/E27	Claro	125V	n/a	97	1,000	240	9.6	50	
25W	163402	MTS	B35	E26/E27	Blanco	125V	n/a	97	1,000	230	9.2	50	
25W	399832	MTS	B35	E14	Claro	125V	n/a	97	1,000	230	9.2	100	
25W	168245	MTS	B10.5	E12	Claro	120V	n/a	103	2,000	150	6	12	Paquete de 2 piezas
40W	163410	MTS	B35	E26/E27	Claro	125V	n/a	97	1,000	460	11.5	50	
40W	167601	MTS	BA9.5	E26/E27	Claro	120V	n/a	103	2,000	300	7.5	24	Punta curva. Paquete de 4 piezas
40W	399881	MTS	B35	E14	Claro	125V	n/a	97	1,000	300	7.5	100	Paquete de 2 piezas
40W	168252	MTS	B10.5	E12	Claro	120V	n/a	103	2,000	300	7.5	12	Paquete de 2 piezas
40W	167205	MTS	BA9	E12	Claro	120V	n/a	106	2,000	300	7.5	24	Punta curva. Paquete de 2 piezas
60W	168260	MTS	B10.5	E12	Claro	120V	n/a	103.0	2,000	550	9.17	12	Paquete de 2 piezas



# Lámparas Incandescentes

Potencia	Clave	Status	Bulbo	Base	Acabado	Voltaje	Apertura	MOL (mm)	Vida Útil (horas)	Flujo Luminoso Inicial	Eficacia Luminosa (Lm/W)	Piezas	Comentarios
----------	-------	--------	-------	------	---------	---------	----------	----------	-------------------	------------------------	--------------------------	--------	-------------

## Focos Incandescentes Decorativos tipo Globo ó Corona

15W	164327	MTS	P45	E26/E27	Blanco	120V	n/a	73	1,000	115	7.67	50	
40W	168468	MTS	G16.5	E12	Claro	120V	n/a	76	2,000	300	7.5	12	Paquete de 2 piezas
40W	163477	MTS	P45	E26/E27	Blanco	125V	n/a	73	1,000	415	10.38	50	
40W	164319	MTS	T45	E26/E27	Blanco	120V	n/a	74	1,000	410	10.25	50	
40W	399907	MTS	P45	E14	Claro	125V	n/a	73	1,000	480	12	100	

## Focos Incandescentes Usos Especiales

40W	163469	MTS	P45	E26/E27	Claro	125V	n/a	73	1,000	455	11.38	50	Aplicación en Hornos y Refrigeradores
10W	393645	MTS	S14	E26/E27	Claro	130V	n/a	89	1,150	82	8.2	60	Aplicación en Anuncios y Señalización
4W	257063	MTS	C7	E12	Claro	120V	n/a	54	3,000	16	4	24	Luz de noche (Night Light). Paquete de 2 piezas



P45



G16.5



T45



P45



S14



C7

# Lámparas Incandescentes

## Tipos de Base



E26/E27

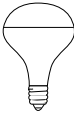


E14

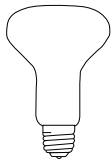


E12

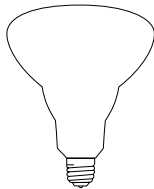
## Tipos de Bulbo



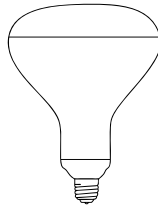
R14



R20



BR30



R40



F15



B35



B35



B10.5



BA9.5



BA9



P45



G16.5



T45



S14



C7

## Acabados



CLARO



BLANCO





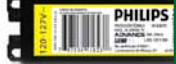







FROSTEADO  
BLANCO



IRIDISCENTE



# Contenido

	<b>Balastros Electrónicos para lámparas Fluorescentes T5</b> Pág. 68		<b>Balastros Electrónicos para lámparas Fluorescentes T8</b> Pág. 73		<b>Balastros Electrónicos para lámparas Fluorescentes T12</b> Pág. 80
	<b>Balastros Electrónicos para lámparas Fluorescentes Compactas</b> Pág. 82		<b>Balastros Electrónicos Atenuables para lámparas Fluorescentes Mark 10</b> Pág. 84		<b>Balastros Electrónicos Atenuables para lámparas Fluorescentes Mark 7</b> Pág. 86
	<b>Transformador Electrónico atenuable para LED</b> Pág. 89		<b>Balastros Electrónicos para lámparas HID e-Vision</b> Pág. 91		<b>Balastros Electrónicos para lámparas HID</b> Pág. 95
	<b>Balastros de Emergencia Bodine</b> Pág. 98				



## **BALASTROS**

Desempeño, confiabilidad y calidad

**PHILIPS**

# Balastos Electrónicos para Tubos T5 HE

Catálogo	Clave	No. de lámparas	Tensión de Línea	Tipo de encendido	Familia de Balastro	Potencia de línea (W)	Factor de Balastro	% THD	Corriente de Línea (A)	Temp. de Encendido Mín. (°F/°C)	Dimensión	Diagrama de Conexión
<b>F14T5 HE (14W)</b>												
ICN-2S28-N	275156	1	120-277	PS	Centium	17	1.07	10	0.14-0.07	0/-18	N	73
ICN-2S28-N	275156	2	120-277	PS	Centium	33	1.04	10	0.28-0.13	0/-18	N	74
ICN-3S14-T	256396	2	120-277	PS	Centium	36	1	10	0.31-0.13	0/-18	O	172
RES-3P14-N	109959	3	120	IS	Essential	58	0.89	>30	0.65	50/10	N	76
ICN-3S14-T	256396	3	120-277	PS	Centium	50	1	10	0.42-0.18	0/-18	O	171
<b>F21T5 HE (21W)</b>												
ICN-2S28-N	275156	1	120-277	PS	Centium	25	1.06	10	0.22-0.10	0/-18	N	73
ICN-2S28-N	275156	2	120-277	PS	Centium	49	1.02	10	0.43-0.19	0/-18	N	74
<b>F28T5/ES HE (25W)</b>												
ICN-2S28-N	275156	1	120-277	PS	Centium	30	1.05	10	0.25-0.11	0/-18	N	73
ICN-2S28-N	275156	2	120-277	PS	Centium	58-57	1.00	10	0.49-0.21	0/-18	N	74
*IOP-2S28-95-SC	199646	2	120-277	PS	Centium	54	0.95	10	0.45	0/-18	B	74
<b>F28T5 HE (28W)</b>												
ICN-2S28-N	275156	1	120-277	PS	Centium	31	1.05	10	0.29-0.12	0/-18	N	73
RES-2P28	290627	1	127	IS	Essential	61	0.80	>30	0.89	50/10	C	n/a
ICN-2S28-N	275156	2	120-277	PS	Centium	62-61	1.00	10	0.59-0.23	0/-18	N	74
RES-2P28	290627	2	127	IS	Essential	61	0.80	>30	0.89	50/10	C	n/a
IES-3S28	285726	3	120-277	RS	Essential	92	0.87	30	0.74-0.32	32/00	F	77

\*Producto sin NOM

IOP = Optanium  
 ICN = Centium  
 RES = Essential 120V  
 IES = Essential 120V - 277V



IES-3S28  
T5

# Balastos Electrónicos para Tubos Circulares T5 HE

Catálogo	Clave	No. de lámparas	Tensión de Línea	Tipo de encendido	Familia de Balastro	Potencia de línea (W)	Factor de Balastro	% THD	Corriente de Línea (A)	Temp. de Encendido Mín. (°F/°C)	Dimensión	Diagrama de Conexión
<b>FC9T5 (22W Circular)</b>												
ICN-2S24N	290429	1	120-277	PS	Centium	27	1.02	10	0.23-0.10	0/-18	D	73
ICN-2S39N	N/D	1	120-277	PS	Centium	29	1.12	15	0.24-0.12	0/-18	D	73
ICN-2S24N	290429	2	120-277	PS	Centium	52	1.00	10	0.44-0.19	0/-18	D	74
ICN-2S39N	N/D	2	120-277	PS	Centium	54	1.10	10	0.46-0.20	0/-18	D	74
<b>FC12T5 (40W Circular)</b>												
ICN-2S24N	290429	1	120-277	PS	Centium	40	0.84	10	0.34-0.15	0/-18	D	73
ICN-2S39N	N/D	1	120-277	PS	Centium	42	0.92	10	0.35-0.16	0/-18	D	73
ICN-2S39N	N/D	2	120-277	PS	Centium	80	0.90	10	0.68-0.29	0/-18	D	74
<b>(1) FC9T5 &amp; (1) FC12T5 {(1) 22W &amp; (1) 40W Circular}</b>												
ICF-2S42-M2-LD	108696	1&1	120-277	PS	SmartMate	61	0.85	10	0.51-0.22	0/-18	Figura 2	162
ICN-2S39N	N/D	1&1	120-277	PS	Centium	68	1.00	10	0.58-0.25	0/-18	D	74
<b>FC12T5/HO (55W Circular)</b>												
ICN-2S54N	286732	1	120-277	PS	Centium	55	0.87	15	0.46-0.21	0/-18	D	73
ICN-2S54-90C-N	256057	1	120-277	PS	Centium	55	0.87	15	0.46-0.21	0/-18	B	73
ICN-2S54N	286732	2	120-277	PS	Centium	106-103	0.85	10	0.89-0.38	0/-18	D	74
ICN-2S54-90C-N	256057	2	120-277	PS	Centium	106-103	0.85	10	0.89-0.38	0/-18	B	74

N/D: No Disponible



ICN-2S28-N  
T5

# Balastos Electrónicos para Tubos T5 HO

Catálogo	Clave	No. de lámparas	Tensión de Línea	Tipo de encendido	Familia de Balastro	Potencia de línea (W)	Factor de Balastro	% THD	Corriente de Línea (A)	Temp. de Encendido Mín. (°F/°C)	Dimensión	Diagrama de Conexión
<b>F24T5/HO (24W)</b>												
ICN-2S24N	290429	1	120-277	PS	Centium	27	1.02	10	0.23-0.10	0/-18	D	73
ICN-2S39N	N/D	1	120-277	PS	Centium	29	1.12	15	0.25-0.12	0/-18	D	73
ICN-2S24N	290429	2	120-277	PS	Centium	52	1.00	10	0.44-0.19	0/-18	D	74
ICN-2S39N	N/D	2	120-277	PS	Centium	55	1.10	10	0.47-0.21	0/-18	D	74
<b>F39T5/HO (39W)</b>												
ICN-2S24N	290429	1	120-277	PS	Centium	40	0.90	10	0.34-0.15	0/-18	D	73
ICN-2S39N	N/D	1	120-277	PS	Centium	43	1.02	10	0.36-0.16	0/-18	D	73
ICN-2S39N	N/D	2	120-277	PS	Centium	87-85	1.00	10	0.73-0.31	0/-18	D	74
<b>F54T5/HO (49W)</b>												
ICN-2S54N	286732	1	120-277	PS	Centium	58	1.02	10	0.49-0.21	-20/-29	D	73
ICN-2S54-90C-N	256057	1	120-277	PS	Centium	58	1.02	10	0.49-0.21	-20/-29	B	73
ICN-2S54N	286732	2	120-277	PS	Centium	112-109	1.00	10	0.93-0.40	-20/-29	D	74
ICN-2S54-90C-N	256057	2	120-277	PS	Centium	112-109	1.00	10	0.93-0.40	0	B	74
ICN-4S54-90C-2LS-G	108746	3	120-277	PS	Centium	168-165	1.00	10	1.52-0.66	-20/-29	G	75
*HCN-4S54-90C-2LS-G	119560	3	347-480	PS	Centium	175-172	1.00	10	0.54-0.39	-20/-29	G	75
ICN-4S54-90C-2LS-G	108746	4	120-277	PS	Centium	222-216	1.00	10	2.00-0.86	-20/-29	G	75A
*HCN-4S54-90C-2LS-G	119560	4	347-480	PS	Centium	223-221	1.00	10	0.69-0.50	-20/-29	G	75A
<b>F54T5/HO (54W)</b>												
ICN-2S54N	286732	1	120-277	PS	Centium	62	1.02	10	0.52-0.23	-20/-29	D	73
ICN-2S54-90C-N	256057	1	120-277	PS	Centium	62	1.02	10	0.52-0.23	-20/-29	B	73
RES-2S54	N/D	1 y 2	127	PS	Essential	104	0.80	>30	1.36	50/0	C	N/D
ICN-2S54N	286732	2	120-277	PS	Centium	120-117	1.00	10	1.00-0.43	-20/-29	D	74
ICN-2S54-90C-N	256057	2	120-277	PS	Centium	120-117	1.00	10	1.00-0.43	-20/-29	B	74
ICN-4S54-90C-2LS-G	108746	3	120-277	PS	Centium	182-179	1.00	10	1.52-0.66	-20/-29	G	75A
*HCN-4S54-90C-2LS-G	119560	3	347-480	PS	Centium	188-186	1.04	10	0.54-0.39	-20/-29	G	75
ICN-4S54-90C-2LS-G	108746	4	120-277	PS	Centium	240-234	1.00	10	2.00-0.86	-20/-29	G	75
*HCN-4S54-90C-2LS-G	119560	4	347-480	PS	Centium	239-237	1.00	10	0.69-0.50	-20/-29	G	75

N/D: No Disponible

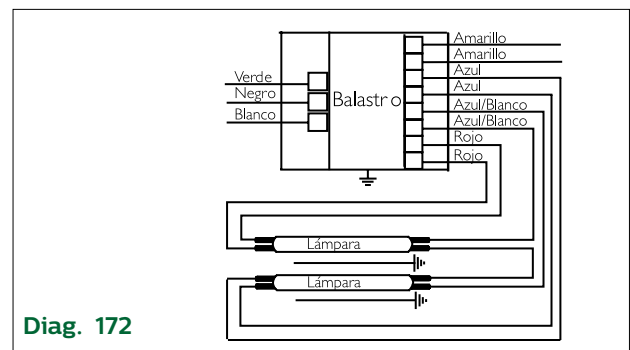
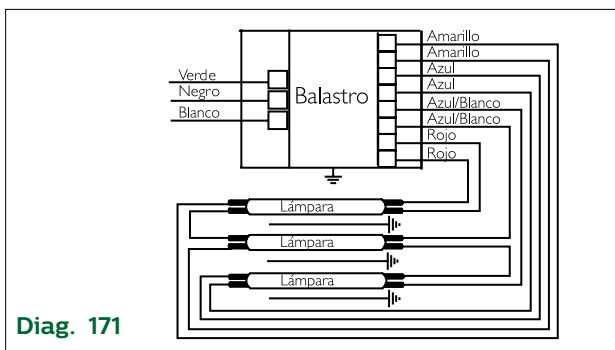
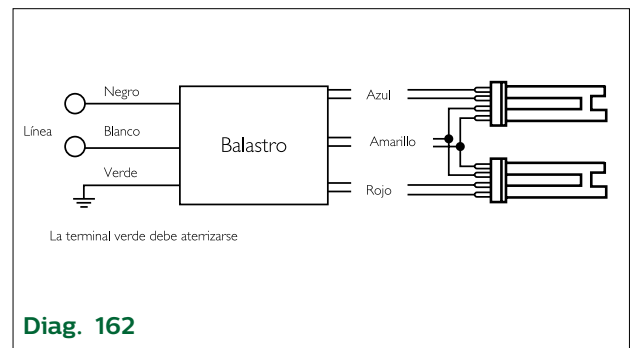
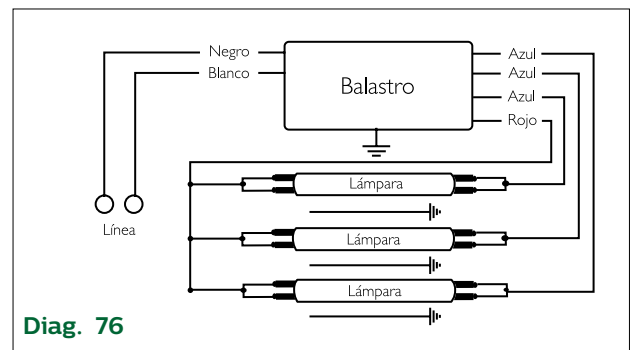
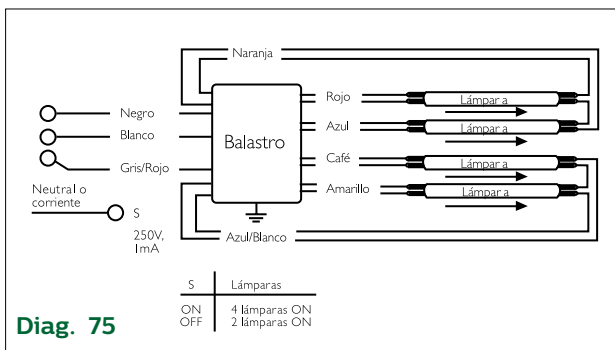
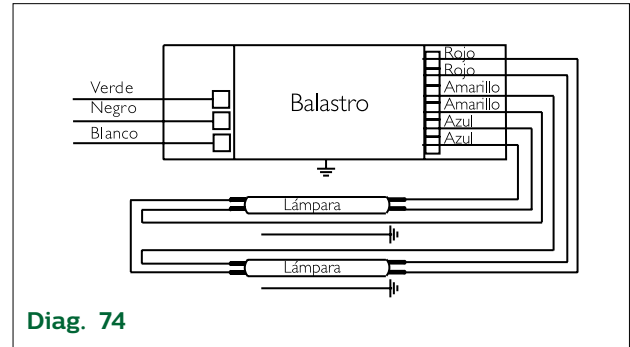
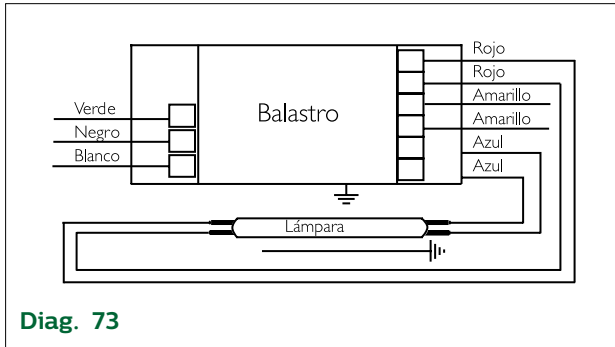
\*Producto sin NOM

ICN = Centium 120V - 277V

HCN = Centium 347V - 480V

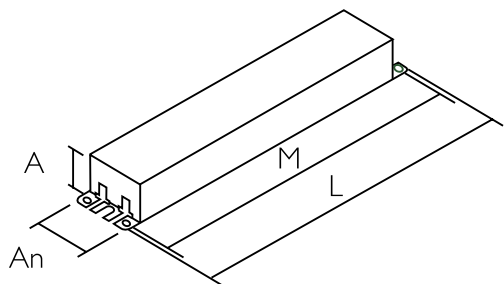
# Balastos Electrónicos para Tubos T5

## Diagramas de Conexión



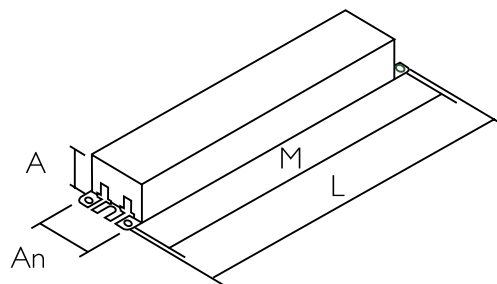
# Balastos Electrónicos para Tubos T5

## Dimensiones (pulgadas)



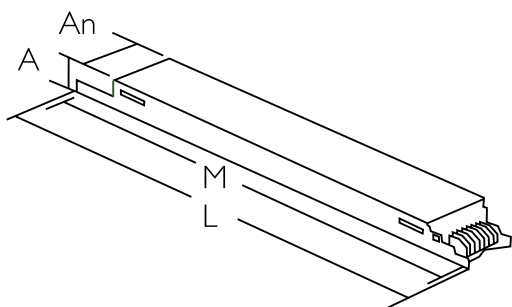
**Fig. B**

1.18" (A) x 1.7" (An) x 9.5" (L) x 8.9" (M)



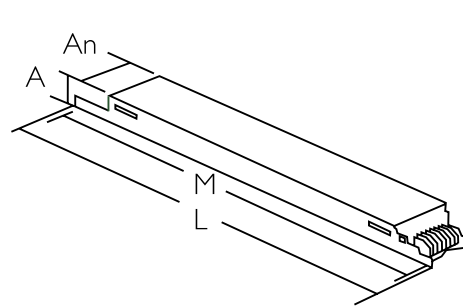
**Fig. C**

1.5" (A) x 1.7" (An) x 8.5" (L) x 8.0" (M)



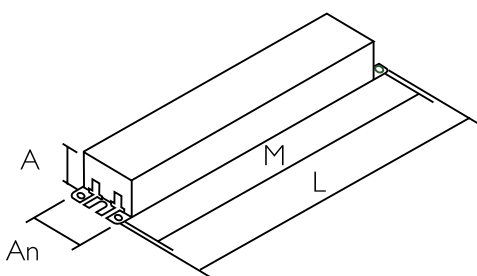
**Fig. D**

0.98" (A) x 1.18" (An) x 16.69" (L) x 16.34" (M)



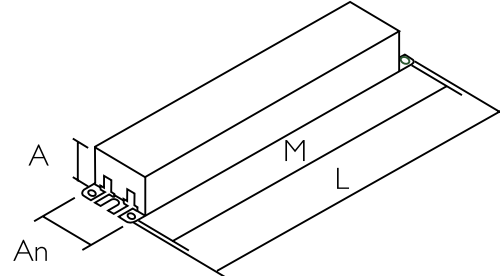
**Fig. F**

1.10" (A) x 1.53" (An) x 10.98" (L) x 10.43" (M)



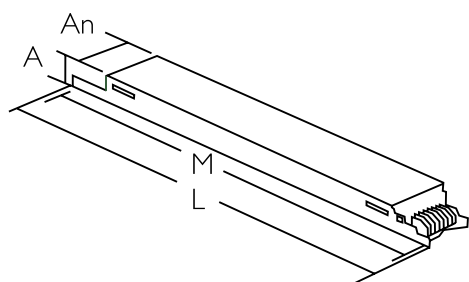
**Fig. G**

1.18" (A) x 1.70" (An) x 16.70" (L) x 16.34" (M)



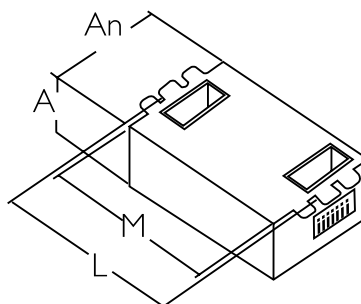
**Fig. N**

1.10" (A) x 1.3" (An) x 9.5" (L) x 8.9" (M)



**Fig. O**

1.06" (A) x 1.18" (An) x 14.17" (L) x 13.78" (M)



**Fig. 2**

1.29" (A) x 3.00" (An) x 4.60" (L) x 4.20" (M)

# Balastos Electrónicos para Tubos T8

Catálogo	Clave	No. de lámparas	Tensión de Línea	Tipo de encendido	Familia de Balastro	Potencia de línea (W)	Factor de Balastro	% THD	Corriente de Línea (A)	Temp. de Encendido Mín. (°F/°C)	Dimensión	Diagrama de Conexión
<b>F1T78 (17W)</b>												
RES-2P32-N	497958	1	120	IS	Essential	56	0.87	>30	0.75	32/00	N	64B
REM-2P32-N	258723	1	120	IS	Centium	21	1.08	10	0.17	0/-18	N	64
ICN-2P32-N	496398	1	120-277	IS	Centium	22	1.07	15	0.18-0.09	0/-18	N	64
*IOP-1P32-SC	N/D	1	120-277	IS	Optanium	16	0.90	10	0.14-0.07	-20/-29	B	63
*IOP-2P32-SC	119438	1	120-277	IS	Optanium	19	1.06	15	0.17-0.08	-20/-29	B	*64
*IOP-1S32-N	N/D	1	120-277	PS	Optanium	16	0.97	10	0.14-0.07	0/-18	B	20
*IOP-2PSP32-SC	108316	1	120-277	PS	Optanium	17	0.97	15	0.14-0.07	0/-18	B	39
<b>F1T78 (17W)</b>												
RES-2P32-N	497958	2	120	IS	Essential	56	0.87	>30	0.75	32/00	N	64B
REM-2P32-N	258723	1	120	IS	Centium	21	1.08	10	0.17	0/-18	N	64
ICN-2P32-N	496398	2	120-277	IS	Centium	33	0.93	15	0.28-0.13	0/-18	N	64
ICN-3P32-N	284190	2	120-277	IS	Centium	38	1.07	15	0.32-0.14	0/-18	N	*65
*IOP-2P32-SC	119438	2	120-277	IS	Optanium	31	0.90	10	0.26-0.11	-20/-29	B	64
*IOP-3P32-SC	119446	2	120-277	IS	Optanium	35	1.01	15	0.30-0.14	-20/-29	B	*65
*IOP-2PSP32-SC	108316	2	120-277	PS	Optanium	29	0.90	15	0.24-0.11	0/-18	B	21
<b>F1T78 (17W)</b>												
ICN-3P32-N	284190	3	120-277	IS	Centium	48	0.92	15	0.39-0.17	0/-18	B	65
ICN-4P32-N	284232	3	120-277	IS	Centium	53	1.04	15	0.45-0.20	0/-18	B	*66
*IOP-3P32-SC	119446	3	120-277	IS	Optanium	45	0.90	10	0.38-0.17	-20/-29	B	65
*IOP-4P32-SC	119412	3	120-277	IS	Optanium	49	1.00	15	0.41-0.18	-20/-29	B	*66
IOP-3S32-SC	120410	3	120-277	PS	Optanium	43	0.89	10	0.36-0.16	0/-18	B	30
<b>F1T78 (17W)</b>												
ICN-4P32-N	284232	4	120-277	IS	Centium	64	0.93	10	0.54-0.23	0/-18	N	66
*IOP-4P32-SC	119412	4	120-277	IS	Optanium	58	0.90	10	0.49-0.22	-20/-29	B	66
*IOP-4S32-SC	120360	4	120-277	PS	Optanium	57	0.89	10	0.47-0.21	0/-18	B	138

N/D: No Disponible

\*Producto sin NOM



ICN-2P59-N  
T8

# Balastos Electrónicos para Tubos T8

Catálogo	Clave	No. de lámparas	Tensión de Línea	Tipo de encendido	Familia de Balastro	Potencia de línea (W)	Factor de Balastro	% THD	Corriente de Línea (A)	Temp. de Encendido Mín. (°F/°C)	Dimensión	Diagrama de Conexión
<b>F25T8 (25W - 36")</b>												
RES-2P32-N	497958	1	120	IS	Essential	56	0.87	>30	0.75	32/00	N	64B
REM-2P32-N	258723	1	120	IS	Centium	29	1.05	10	0.24	0/-18	N	64
ICN-2P32-N	496398	1	120-277	IS	Centium	29	1.06	15	0.24-0.11	0/-18	B	*64
*IOP-1P32-SC	N/D	1	120-277	IS	Optanium	23	0.88	10	0.20-0.09	-20/-29	B	63
*IOP-2P32-SC	119438	1	120-277	IS	Optanium	28	1.05	10	0.23-0.10	-20/-29	B	*64
*IOP-1S32-N	N/D	1	120-277	PS	Optanium	22	0.92	10	0.19-0.08	0/-18	B	20
*IOP-2PSP32-SC	108316	1	120-277	PS	Optanium	23	0.90	15	0.19-0.09	0/-18	B	39
<b>F25T8 (25W - 36")</b>												
RES-2P32-N	497958	2	120	IS	Essential	56	0.87	>30	0.75	32/00	N	64B
REM-2P32-N	258723	2	120	IS	Centium	45	0.89	10	0.38	0/-18	N	64
ICN-2P32-N	496398	2	120-277	IS	Centium	48	0.91	10	0.40-0.18	0/-18	N	64
ICN-3P32-N	284190	2	120-277	IS	Centium	51	1.03	15	0.43-0.19	0/-18	N	*65
*IOP-2P32-SC	119438	2	120-277	IS	Optanium	43	0.88	10	0.37-0.16	-20/-29	B	64
*IOP-3P32-SC	119446	2	120-277	IS	Optanium	49	1.00	10	0.42-0.18	-20/-29	B	*65
*IOP-2PSP32-SC	108316	2	120-277	PS	Optanium	43	0.89	10	0.36-0.16	0/-18	B	21
<b>F25T8 (25W - 36")</b>												
ICN-3P32-N	284190	3	120-277	IS	Centium	67	0.90	10	0.56-0.24	0/-18	B	65
ICN-4P32-N	284232	3	120-277	IS	Centium	74	1.01	10	0.62-0.27	0/-18	B	*66
*IOP-3P32-SC	119446	3	120-277	IS	Optanium	64	0.88	10	0.54-0.24	-20/-29	B	65
*IOP-4P32-SC	119412	3	120-277	IS	Optanium	71	0.97	10	0.59-0.26	-20/-29	B	*66
IOP-3S32-SC	120410	3	120-277	PS	Optanium	64	0.88	10	0.53-0.23	0/-18	B	30
<b>F25T8 (25W - 36")</b>												
ICN-4P32-N	284232	4	120-277	IS	Centium	89	0.91	10	0.74-0.32	0/-18	B	66
*IOP-4P32-SC	119412	4	120-277	IS	Optanium	85	0.88	10	0.72-0.31	-20/-29	B	66
*IOP-4S32-SC	120360	4	120-277	PS	Optanium	85	0.88	10	0.72-0.31	0/-18	B	138
<b>F32T8/ES (25W - 48")</b>												
IOP-1P32-SC	N/D	1	120-277	IS	Optanium	23	0.87	10	0.20-0.09	60/16	B	63
*IOP-2P32-SC	119438	1	120-277	IS	Optanium	27	1.05	10	0.23-0.10	60/16	B	*64
*IOP-1S32-N	N/D	1	120-277	PS	Optanium	24	0.88	10	0.20-0.08	60/16	B	20
*IOP-2PSP32-SC	108316	1	120-277	PS	Optanium	24	0.89	10-15	0.20-0.09	60/16	B	39
<b>F32T8/ES (25W - 48")</b>												
*IOP-2P32-SC	119438	2	120-277	IS	Optanium	44-43	0.87	10	0.37-0.06	60/16	B	64
*IOP-3P32-SC	119446	2	120-277	IS	Optanium	49	1.00	10	0.42-0.18	60/16	B	*65
*IOP-2PSP32-SC	108316	2	120-277	PS	Optanium	45-44	0.88	10	0.38-0.16	60/16	B	21

N/D: No Disponible

\*Producto sin NOM

# Balastos Electrónicos para Tubos T8

Catálogo	Clave	No. de lámparas	Tensión de Línea	Tipo de encendido	Familia de Balastro	Potencia de línea (W)	Factor de Balastro	% THD	Corriente de Línea (A)	Temp. de Encendido Mín. (°F/°C)	Dimensión	Diagrama de Conexión
<b>F32T8/ES (25W - 48")</b>												
*IOP-3P32-SC	119446	3	120-277	IS	Optanium	65-64	0.87	10	0.55-0.24	60/16	B	65
*IOP-4P32-SC	119412	3	120-277	IS	Optanium	70-69	0.97	10	0.59-0.26	60/16	B	*66
*IOP-3S32-SC	120410	3	120-277	PS	Optanium	67-66	0.89	10	0.56-0.25	60/16	B	30
<b>F32T8/ES (25W - 48")</b>												
*IOP-4P32-SC	119412	4	120-277	IS	Optanium	87-85	0.87	10	0.73-0.31	60/16	B	66
*IOP-4S32-SC	120360	4	120-277	PS	Optanium	87-85	0.87	10	0.73-0.31	60/16	B	138
<b>F32T8/ES (28W - 48")</b>												
*IOP-1P32-SC	N/D	1	120-277	IS	Optanium	25	0.87	10	0.22-0.10	60/16	B	63
*IOP-2P32-SC	119438	1	120-277	IS	Optanium	31	1.05	10	0.26-0.11	60/16	B	*64
*IOP-1S32-N	N/D	1	120-277	PS	Optanium	25	0.88	10	0.20-0.09	60/16	B	20
*IOP-2PSP32-SC	108316	1	120-277	PS	Optanium	26	0.88	10-15	0.21-0.09	60/16	B	39
<b>F32T8/ES (28W - 48")</b>												
*IOP-2P32-SC	119438	2	120-277	IS	Optanium	48-47	0.87	10	0.41-0.18	60/16	B	64
*IOP-3P32-SC	119446	2	120-277	IS	Optanium	55-54	1.00	10	0.46-0.20	60/16	B	*65
*IOP-2PSP32-SC	108316	2	120-277	PS	Optanium	49-48	0.88	10	0.41-0.18	60/16	B	21
<b>F32T8/ES (28W - 48")</b>												
*IOP-3P32-SC	119446	3	120-277	IS	Optanium	72-71	0.87	10	0.61-0.26	60/16	B	65
*IOP-4P32-SC	119412	3	120-277	IS	Optanium	79-78	0.97	10	0.66-0.28	60/16	B	*66
IOP-3S32-SC	120410	3	120-277	PS	Optanium	72-71	0.89	10	0.60-0.26	60/16	B	30
<b>F32T8/ES (28W - 48")</b>												
*IOP-4P32-SC	119412	4	120-277	IS	Optanium	96-94	0.87	10	0.81-0.35	60/16	B	66
*IOP-4S32-SC	120360	4	120-277	PS	Optanium	97-96	0.88	10	0.82-0.35	60/16	B	138
<b>F32T8/ES (30W)</b>												
ICN-2P32-N	496398	1	120-277	IS	Centium	33	1.03	10	0.28-0.12	60/16	N	*64
REM-2P32-N	258723	1	120	IS	Centium	33	1.03	10	0.28-0.12	0/-18	N	64
*IOP-1P32-SC	N/D	1	120-277	IS	Optanium	27	0.87	10	0.23-0.10	60/16	B	63
*IOP-2P32-SC	119438	1	120-277	IS	Optanium	33	1.05	10	0.28-0.12	60/16	B	*64
*IOP-1S32-N	N/D	1	120-277	PS	Optanium	27	0.88	10	0.22-0.10	60/16	B	20
*IOP-2PSP32-SC	108316	1	120-277	PS	Optanium	27	0.90	10	0.23-0.10	60/16	B	39

N/D: No Disponible

\*Producto sin NOM



ICN-2P32-N  
T8

# Balastos Electrónicos para Tubos T8

Catálogo	Clave	No. de lámparas	Tensión de Línea	Tipo de encendido	Familia de Balastro	Potencia de línea (W)	Factor de Balastro	% THD	Corriente de Línea (A)	Temp. de Encendido Mín. (°F/°C)	Dimensión	Diagrama de Conexión
<b>F32T8/ES (30W)</b>												
ICN-2P32-N	496398	2	120-277	IS	Centium	54	0.88	10	0.45-0.20	60/16	B	64
REM-2P32-N	258723	2	120	IS	Centium	54	0.88	10	0.45-0.20	0/-18	N	64
ICN-3P32-N	284190	2	120-277	IS	Centium	61	1.01	10	0.51-0.22	60/16	B	*65
*IOP-2P32-SC	119438	2	120-277	IS	Optanium	52-51	0.87	10	0.44-0.19	60/16	B	64
*IOP-3P32-SC	119446	2	120-277	IS	Optanium	59-58	1.00	10	0.50-0.21	60/16	B	*65
*IOP-2PSP32-SC	108316	2	120-277	PS	Optanium	52	0.88	10	0.44-0.19	60/16	B	21
<b>F32T8/ES (30W)</b>												
ICN-3P32-N	284190	3	120-277	IS	Centium	79	0.88	10	0.66-0.29	60/16	B	65
ICN-4P32-N	284232	3	120-277	IS	Centium	87	1.00	10	0.73-0.32	60/16	B	*66
*IOP-3P32-SC	119446	3	120-277	IS	Optanium	77-76	0.87	10	0.65-0.28	60/16	B	65
IOP-4P32-SC	119412	3	120-277	IS	Optanium	84-82	0.97	10	0.70-0.30	60/16	B	*66
*IOP-3S32-SC	120410	3	120-277	PS	Optanium	77-76	0.88	10	0.64-0.28	60/16	B	30
<b>F32T8/ES (30W - 48")</b>												
ICN-4P32-N	284232	4	120-277	IS	Centium	105	0.88	10	0.88-0.38	60/16	B	66
*IOP-4P32-SC	119412	4	120-277	IS	Optanium	102-100	0.87	10	0.86-0.37	60/16	B	66
*IOP-4S32-SC	120360	4	120-277	PS	Optanium	102-100	0.88	10	0.86-0.37	60/16	B	138
<b>F32T8, FBO31T8, F32T8/U6 (32W)</b>												
RES-2P32-N	497958	1	120	IS	Essential	56	0.87	>30	0.75	32/00	N	64B
REM-2P32-N	258723	1	120	IS	Centium	36	1.03	15	0.30-0.14	0/-18	N	64
ICN-2P32-N	496398	1	120-277	IS	Centium	36	1.03	15	0.30-0.14	0/-18	N	*64
*IOP-1P32-SC	N/D	1	120-277	IS	Optanium	28	0.87	10	0.25-0.11	-20/-29	B	63
*IOP-2P32-SC	119438	1	120-277	IS	Optanium	35	1.05	10	0.30-0.13	-20/-29	B	*64
*IOP-1S32-N	N/D	1	120-277	PS	Optanium	28	0.88	10	0.24-0.10	0/-18	B	20
*IOP-2PSP32-SC	108316	1	120-277	PS	Optanium	29	0.90	10	0.24-0.11	0/-18	B	39
<b>F32T8, FBO31T8, F32T8/U6 (32W)</b>												
RES-2P32-N	497958	2	120	IS	Essential	56	0.87	>30	0.75	32/00	N	64B
REM-2P32-N	258723	1	120	IS	Centium	59	0.88	10	0.49-0.22	0/-18	N	64
ICN-2P32-N	496398	2	120-277	IS	Centium	59	0.88	10	0.49-0.22	0/-18	B	64
ICN-3P32-N	284190	2	120-277	IS	Centium	65	1.01	10	0.54-0.24	0/-18	B	*65
*IOP-2P32-SC	119438	2	120-277	IS	Optanium	55-54	0.87	10	0.47-0.20	-20/-29	B	64
*IOP-3P32-SC	119446	2	120-277	IS	Optanium	63-62	1.00	10	0.53-0.23	-20/-29	B	*65
*IOP-2PSP32-SC	108316	2	120-277	PS	Optanium	56-55	0.88	10	0.47-0.20	0/-18	B	21
<b>F32T8, FBO31T8, F32T8/U6 (32W)</b>												
ICN-3P32-N	284190	3	120-277	IS	Centium	85	0.88	10	0.71-0.31	0/-18	N	65
ICN-4P32-N	284232	3	120-277	IS	Centium	93	1.00	10	0.78-0.33	0/-18	N	*66
*IOP-3P32-SC	119446	3	120-277	IS	Optanium	82-80	0.87	10	0.70-0.30	-20/-29	B	65
*IOP-4P32-SC	119412	3	120-277	IS	Optanium	90-88	0.97	10	0.75-0.32	-20/-29	B	66
*IOP-3S32-SC	120410	3	120-277	PS	Optanium	83-81	0.88	10	0.70-0.30	-20/-29	B	30

N/D: No Disponible

\*Producto sin NOM

# Balastros Electrónicos para Tubos T8

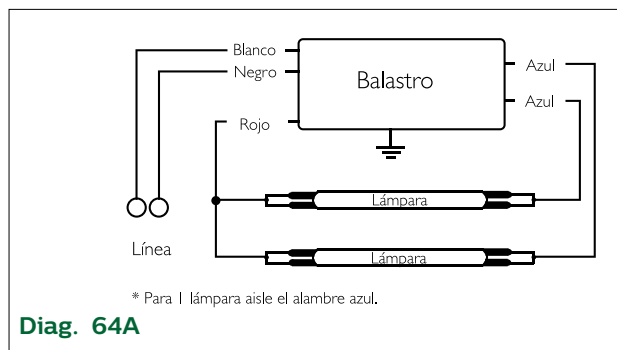
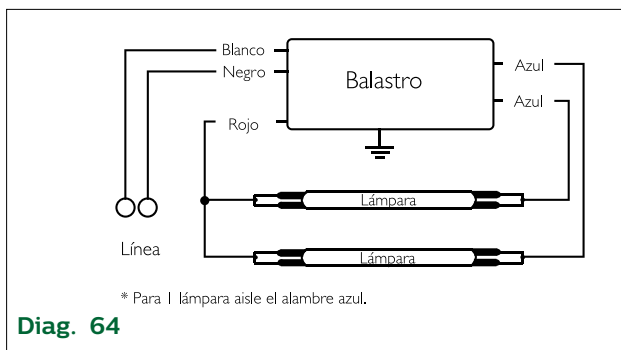
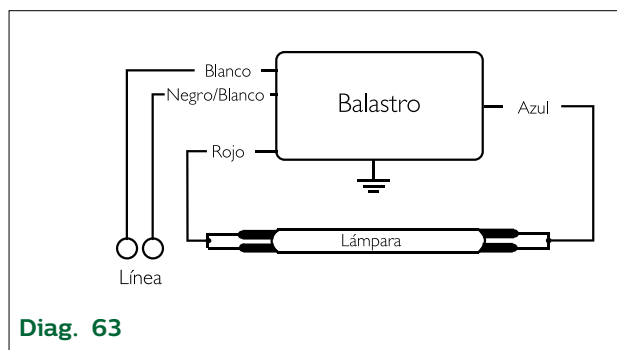
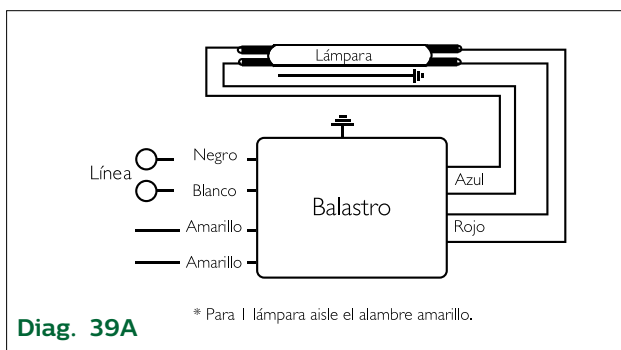
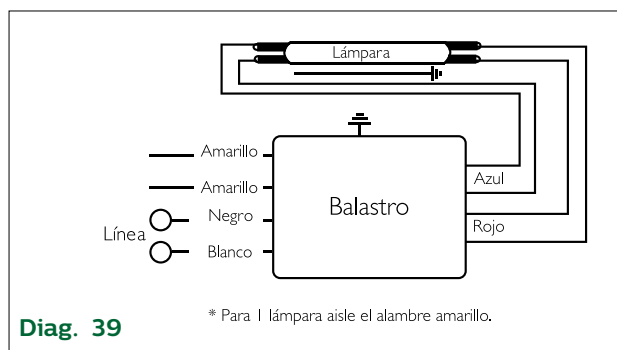
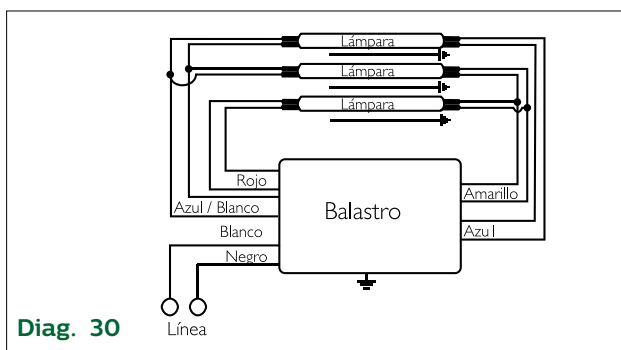
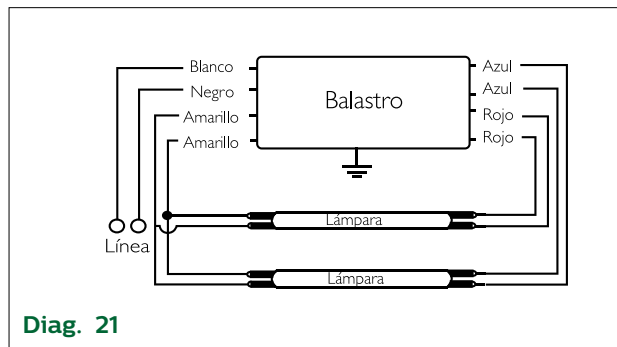
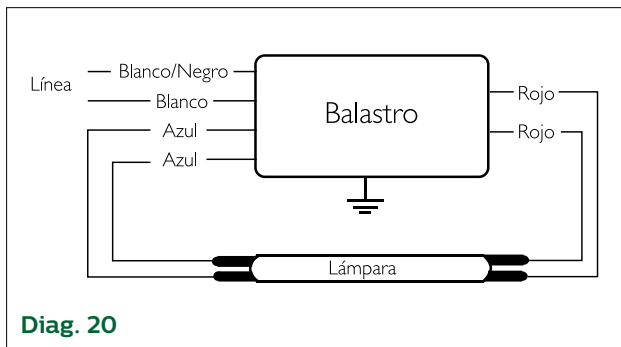
Catálogo	Clave	No. de lámparas	Tensión de Línea	Tipo de encendido	Familia de Balastro	Potencia de línea (W)	Factor de Balastro	% THD	Corriente de Línea (A)	Temp. de Encendido Mín. (°F/°C)	Dimensión	Diagrama de Conexión
<b>F32T8, FBO31T8, F32T8/U6 (32W)</b>												
ICN-4P32-N	284232	4	120-277	IS	Centium	112	0.88	10	0.94-0.41	0/-18	B	66
*IOP-4P32-SC	119412	4	120-277	IS	Optanium	109-106	0.87	10	0.92-0.39	-20/-29	B	66
*IOP-4S32-SC	120360	4	120-277	PS	Optanium	110	0.88	10	0.92-0.40	0/-18	B	138
<b>F40T8 (40W)</b>												
ICN-2P32-N	496398	1	120-277	IS	Centium	42	1.00	10	0.35-0.15	32/0	N	*64
REM-2P32-N	258723	1	120	IS	Centium	42	1.01	10	0.35-0.15	0/-18	N	64
*IOP-2P32-SC	119438	1	120-277	IS	Optanium	41	1.01	10	0.35-0.15	32/0	B	*64
*IOP-2PSP32-SC	108316	1	120-277	PS	Optanium	36	0.90	10	0.30-0.13	32/0	B	39
ICN-3P32-N	284190	2	120-277	IS	Centium	77	1.00	10	0.65-0.28	32/0	N	*65
*IOP-3P32-SC	119446	2	120-277	IS	Optanium	74-72	1.01	10	0.64-0.27	32/0	B	*65
<b>F40T8 (40W)</b>												
ICN-4P32-N	284232	3	120-277	IS	Centium	112	0.97	10	0.94-0.40	32/0	N	*66
*IOP-4P32-SC	119412	3	120-277	IS	Optanium	110-107	0.93	10	0.92-0.38	32/0	B	*66
<b>F96T8/ES (57W)</b>												
ICN-2P59-N	259259	1	120-277	IS	Centium	64	1.05	10	0.56-0.25	0/-18	B	*64A
ICN-2P59-N	259259	2	120-277	IS	Centium	103	0.87	10	0.86-0.37	0/-18	B	64A
<b>F96T8 (59W)</b>												
RES-2P59-N	497966	1	120	IS	Essential	104	0.84	>30	1.133	50/10	N	64B
ICN-2P59-N	259259	1	120-277	IS	Centium	72	1.05	10	0.6	0/-18	B	*64A
RES-2P59-N	497966	2	120	IS	Essential	104	0.84	>30	1.133	50/10	N	64B
ICN-2P59-N	259259	2	120-277	IS	Centium	112	0.87	10	0.94	0/-18	B	64A
<b>F48T8/HO (44W)</b>												
*ICN-2S86	118729	1	120-277	PS	Centium	59	1.02	20	0.50-0.23	-20/-29	C	39A
*ICN-2S86	118729	2	120-277	PS	Centium	98	0.95	10	0.84-0.36	-20/-29	C	21
<b>F60T8/HO (55W)</b>												
*ICN-2S86	118729	1	120-277	PS	Centium	70	1.00	20	0.58-0.26	-20/-29	C	39A
*ICN-2S86	118729	2	120-277	PS	Centium	118	0.92	10	1.04-0.45	-20/-29	C	21
<b>F72T8/HO (65W)</b>												
*ICN-2S86	118729	1	120-277	PS	Centium	81	1.00	15	0.68-0.30	-20/-29	C	39A
*ICN-2S86	118729	2	120-277	PS	Centium	140	0.94	10	1.21-0.54	-20/-29	C	21
<b>F96T8/HO (86W)</b>												
*ICN-2S86	118729	1	120-277	PS	Centium	100	1.00	10	0.84-0.36	-20/-29	C	39A
*ICN-2S86	118729	2	120-277	PS	Centium	185	0.95	10	1.57-0.68	-20/-29	C	21

N/D: No Disponible

\*Producto sin NOM

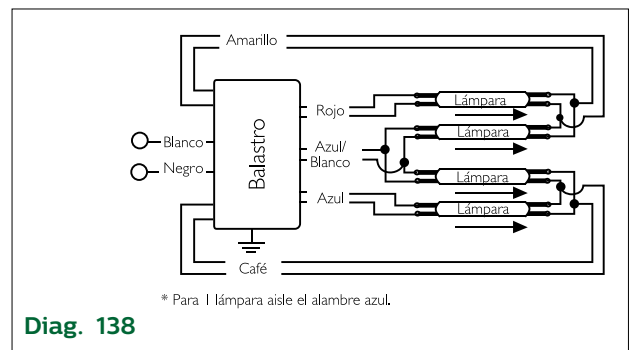
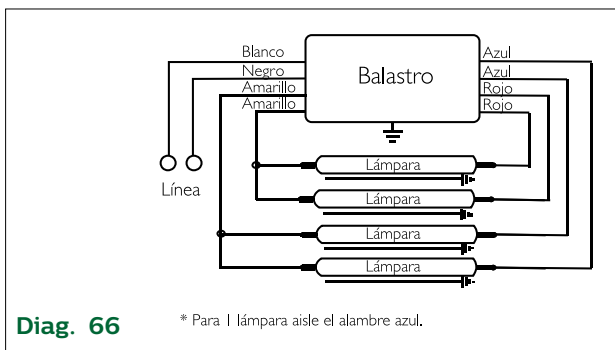
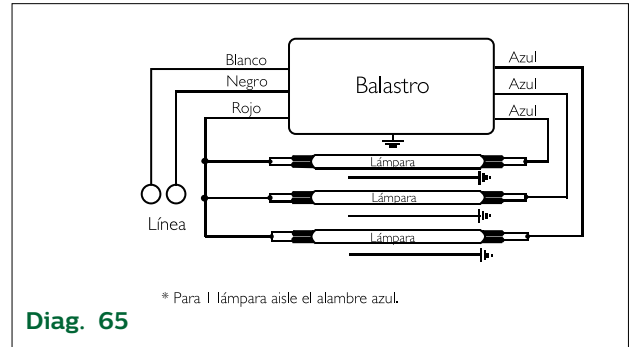
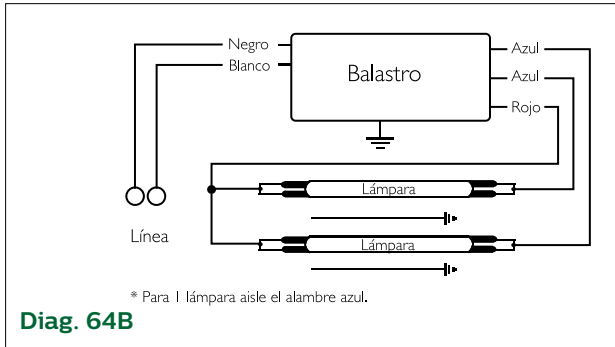
# Balastos Electrónicos para Tubos T8

## Diagramas de Conexión

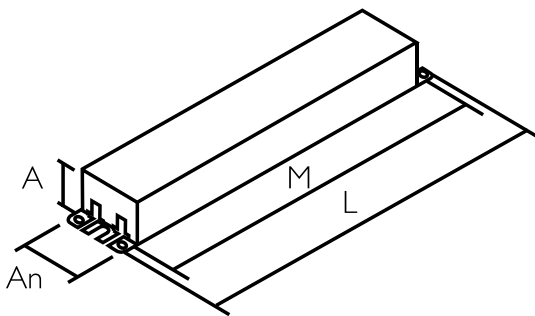


# Balastos Electrónicos para Tubos T8

## Diagramas de Conexión



## Dimensiones (pulgadas)



**Fig. A2**

1.05" (A) x 1.08" (An) x 9.50" (L) x 8.91" (M)

**Fig. B**

1.18" (A) x 1.70" (An) x 9.50" (L) x 8.90" (M)

**Fig. C**

1.78" (A) x 2.88" (An) x 11.75" (L) x 11.14" (M)

**Fig. N**

1.00" (A) x 1.30" (An) x 9.50" (L) x 8.90" (M)

# Balastos Electrónicos para Tubos T12

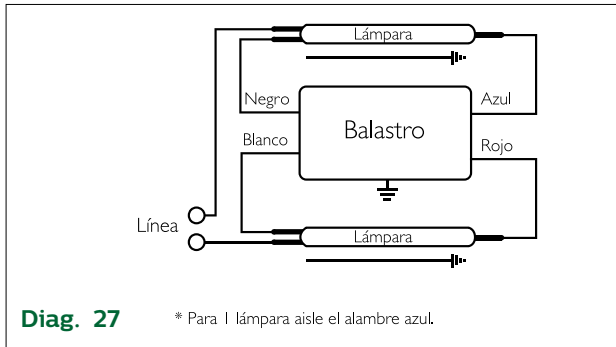
Catálogo	Clave	No. de lámparas	Tensión de Línea	Tipo de encendido	Familia de Balastro	Potencia de línea (W)	Factor de Balastro	% THD	Corriente de Línea (A)	Temp. de Encendido Mín. (°F/°C)	Dimensión	Diagrama de Conexión
<b>F48T12 EW(30W) / F48T8 Slimline (30W)</b>												
REL-239-N	498055	1	120	IS	Standard	42	0.98	30	0.31	50/10	N	27*
REL-239-N	498055	2	120	IS	Standard	65	0.78	30	0.43	50/10	N	27
<b>F96T12 EW (60W) / F96T8 Slimline (60W)</b>												
REL-275-N	498063	1	120	IS	Standard	59	0.72	30	0.49	50/10	N	27*
REL-275-N	498063	2	120	IS	Standard	96	0.61	30	0.78	50/10	N	27



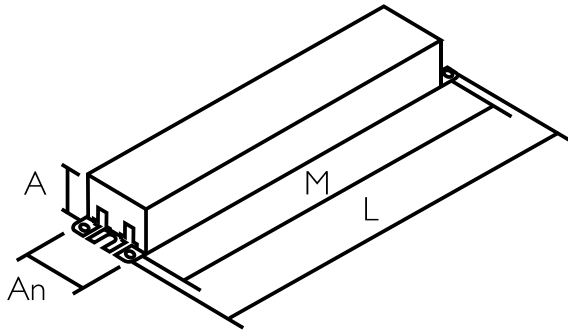
REL-239-N  
T12

# Balastos Electrónicos para Tubos T12

## Diagramas de Conexión



## Dimensiones (pulgadas)



**Fig. N**

1.0" (A) x 1.30" (An) x 9.50" (L) x 8.90" (M)

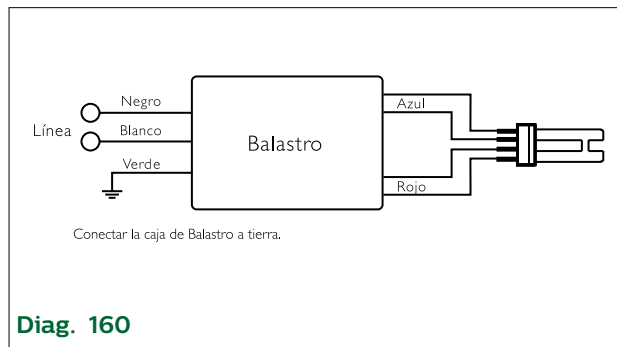
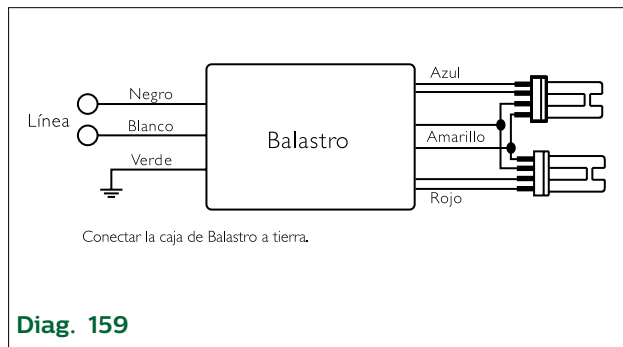
# Balastos Electrónicos para Fluorescentes Compactas

Catálogo	Clave	No. de lámparas	Tensión de Línea	Tipo de encendido	Familia de Balastro	Potencia de línea (W)	Factor de Balastro	% THD	Corriente de Línea (A)	Temp. de Encendido Mín. (°F/°C)	Dimensión	Diagrama de Conexión
<b>CFQ13W/G24q - 13W CFL (PL-C13W/4P, F13DBX/4P, CF13DD/E)</b>												
ICF-2S13-H1-LD	108670	1	120-277	PS	SmartMate	16	1.00	10	0.13	0/-18	Figura 1	160
ICF-2S13-H1-LD	108670	2	120-277	PS	SmartMate	29	1.00	10	0.25-0.11	0/-18	Figura 1	159
<b>CFTR13W/GX24q - 13W CFL (F13TBX/4P, CF13DT/E)</b>												
ICF-2S13-H1-LD	108670	1	120-277	PS	SmartMate	16	1.00	10	0.13-0.06	0/-18	Figura 1	160
ICF-2S13-H1-LD	108670	2	120-277	PS	SmartMate	29	1.00	10	0.25-0.11	0/-18	Figura 1	159
<b>CFQR26W/G24q - 26W CFL (PL-C26W/4P, F26DBX/4P, CF26DD/E)</b>												
ICF-2S26-H1-LD	114173	1	120-277	PS	SmartMate	27	1.00	10	0.23-0.10	0/-18	Figura 1	160
RES-2S26	497974	2	120	RS	Essential	49	0.86	30	0.69	0	Figura 5	159
ICF-2S26-H1-LD	114173	2	120-277	PS	SmartMate	51	1.00	10	0.43-0.19	0/-18	Figura 1	159
ICF-2S42-M2-LD	108696	2	120-277	PS	SmartMate	52	1.00	10	0.43-0.19	0/-18	Figura 2	159
<b>CFTR26W/GX24q - 26W CFL (PL-T26W, F26TBX/4P, CF26DT/E)</b>												
ICF-2S26-H1-LD	114173	1	120-277	PS	SmartMate	29	1.10	10	0.24-0.11	0/-18	Figura 1	160
RES-2S26	497974	2	120	RS	Essential	49	0.86	>30	0.69	0	Figura 5	159
ICF-2S26-H1-LD	114173	2	120-277	PS	SmartMate	54	1.00	10	0.45-0.20	0/-18	Figura 1	159
ICF-2S42-M2-LD	108696	2	120-277	PS	SmartMate	55	1.00	10	0.46-0.21	0/-18	Figura 2	159
<b>CFTR32W/GX24q - 32W CFL (PL-T32W, F32TBX/4P, CF32DT/E)</b>												
ICF-2S26-H1-LD	114173	1	120-277	PS	SmartMate	36	0.98	10	0.31-0.13	0/-18	Figura 1	160
ICF-2S42-M2-LD	108696	2	120-277	PS	SmartMate	68	0.98	10	0.57-0.25	0/-18	Figura 2	159
<b>CFTR42W/GX24q - 42W CFL (PL-T42W, F42TBX/4P, CF42DT/E)</b>												
ICF-2S26-H1-LD	114173	1	120-277	PS	SmartMate	46	0.98	10	0.38-0.17	0/-18	Figura 1	160
RES-2S42	497982	2	120	RS	Essential	119	0.50	>30	0.88	0	Figura 6	159
ICF-2S42-M2-LD	108696	2	120-277	PS	SmartMate	93	0.97	10	0.78-0.33	0/-18	Figura 2	159

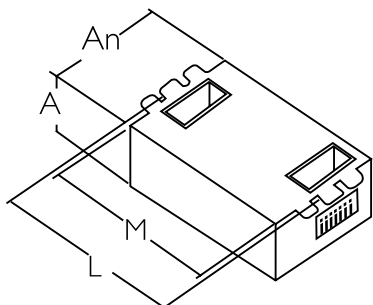


# Balastos Electrónicos para Fluorescentes Compactas

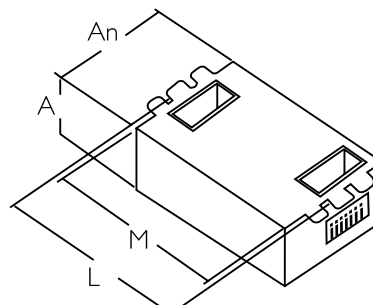
## Diagramas de Conexión



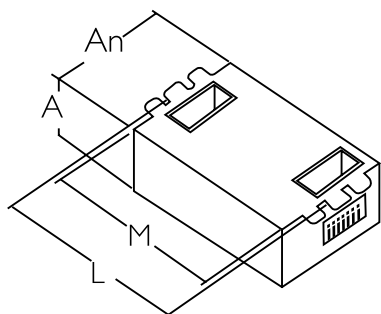
## Dimensiones (pulgadas)



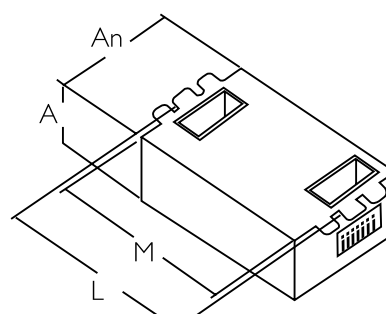
**Fig. 1**  
0.98" (A) x 2.40" (An) x 4.60" (L) x 4.20" (M)



**Fig. 2**  
1.29" (A) x 3.00" (An) x 4.55" (L) x 4.20" (M)



**Fig. 5**  
1.18" (A) x 1.96" (An) x 3.76" (L) x 3.34" (M)



**Fig. 6**  
0.98" (A) x 2.4" (An) x 4.98" (L) x 2.00" (M)

# Balastos Electrónicos Atenuables MARK 10

Catálogo	Clave	No. de lámparas	Tensión de Línea	Tipo de encendido	Familia de Balastro	Potencia de línea (W)	Factor de Balastro	% THD	Corriente de Línea (A)	Temp. de Encendido Mín. (°F/°C)	Dimensión/ Conexión
<b>CFM18W/GX24Q</b>											
REZ2Q18M2LD73M	258517	1 x 18	120	PS	MARK 10	14	0.05 / 1.00	10	0.36	50/10	4/26
REZ2Q18M2LD73M	258517	2 x 18	120	PS	MARK 10	14	0.05 / 1.00	10	0.36	50/10	4/26
<b>CFQ26W/G24Q , PL-C26W/4P(26W)</b>											
REZ2Q26M2LD73M	240515	2 x26	120	PS	MARK 10	16	0.05 / 1.00	10	0.48	50/10	2/26
*VEZ2Q26M2LD35M	182543	2 x26	277	PS	MARK 10	16	0.05 / 1.00	10	0.21	50/10	2/26
<b>CFTR42W/GX24Q, PL-T42W(42W)</b>											
*REZ2T42M3LD35M	176701	2 x42	120	PS	MARK 10	20	0.05 / 1.00	10	0.82	50/10	2/26
*VEZ2T42M3LD35M	176719	2 x42	277	PS	MARK 10	20	0.05 / 1.00	10	0	50/10	2/26
<b>F17T8, FBO16T8 (17W)</b>											
REZ2S32SC73M	284059	2 x17	120	PS	MARK 10	13	0.05 / 1.00	10	0.32	50/10	B/25
*VEZ2S32SC35M	183467	2 x17	277	PS	MARK 10	13	0.05 / 1.00	10	0.14	50/10	B/25
*REZ3S32SC35M	182204	3 x17	120	PS	MARK 10	18	0.05 / 1.00	10	0.47	50/10	B/24
*VEZ3S32SC35M	183616	3 x17	277	PS	MARK 10	18	0.05 / 1.00	10	0.21	50/10	B/24
<b>F25T8, FBO24T8(25W)</b>											
REZ2S32SC73M	284059	2 x25	120	PS	MARK 10	13	0.05 / 1.00	10	0.46	50/10	B/25
*VEZ2S32SC35M	183467	2 x25	277	PS	MARK 10	13	0.05 / 1.00	10	0.20	50/10	B/25
*REZ3S32SC35M	182204	3 x25	120	PS	MARK 10	19	0.05 / 1.00	10	0.66	50/10	B/24
*VEZ2S32SC35M	183467	3x25	277	PS	MARK 10	19	0.05 / 1.00	10	0.29	50/10	B/24
<b>F32T8, FBO31T8, F32T8/U6(32W)</b>											
REZ2S32SC73M	284059	2 x32	120	PS	MARK 10	15	0.05 / 1.00	10	0.57	50/10	B/25
*VEZ2S32SC35M	183467	2 x32	277	PS	MARK 10	15	0.05 / 1.00	10	0.25	50/10	B/25
*REZ3S32SC35M	182204	3 x32	120	PS	MARK 10	20	0.05 / 1.00	10	0.87	50/10	B/24
*VEZ2S32SC35M	183467	3 x32	277	PS	MARK 10	20	0.05 / 1.00	10	0.37	50/10	B/24
<b>F54T5/HO (54W)</b>											
REZ2S5473M	240523	2 x54	120	PS	MARK 10	24	0.05 / 1.00	10	1.05	50/10	D/25
*VEZ2S5435M	176677	2 x54	277	PS	MARK 10	24	0.05 / 1.00	10	0.45	50/10	D/25
<b>FC12T5/HO (55W)</b>											
REZ2S5473M	240523	2 x55	120	PS	MARK 10	24	0.05 / 1.00	10	0.96	50/10	D/25
VEZ2S5435M	176677	2 x55	277	PS	MARK 10	24	0.05 / 1.00	10	0.42	50/10	D/25

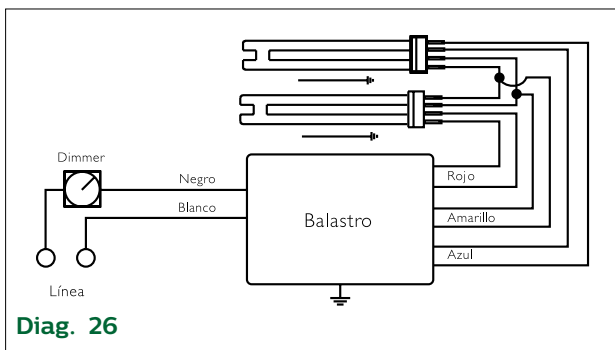
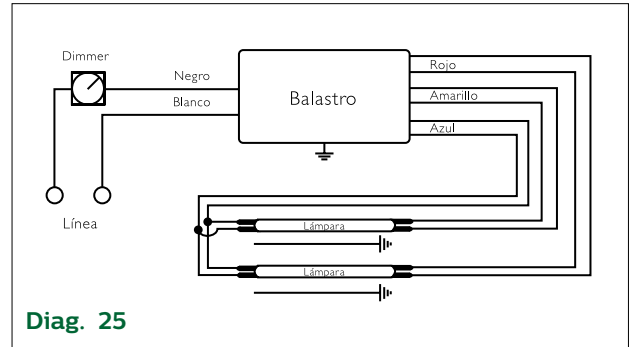
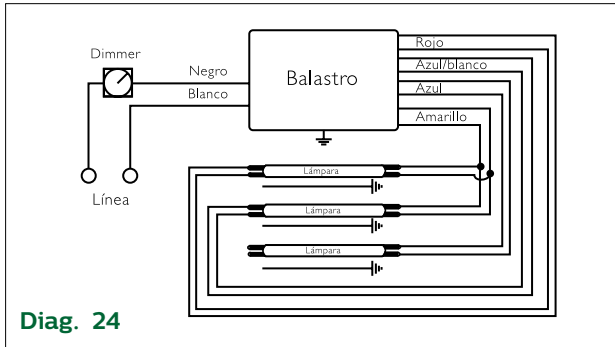
\*Producto sin NOM



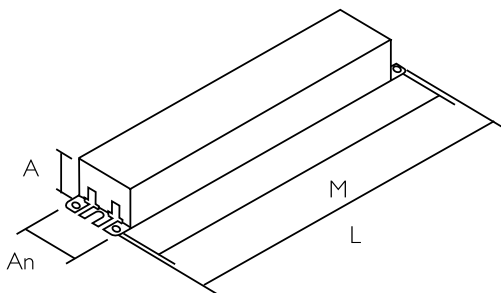
REZ-2S32-SC  
Mark 10

# Balastos Electrónicos Atenuables MARK 10

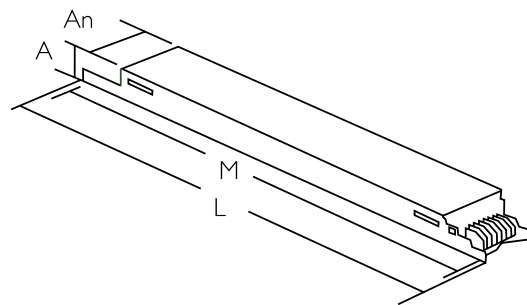
## Diagramas de Conexión



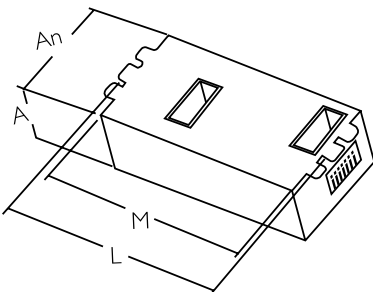
## Dimensiones (pulgadas)



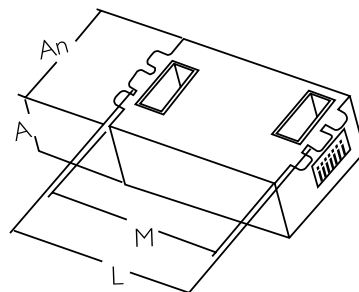
**Fig. B**  
1.18" (A) x 1.69" (An) x 9.50" (L) x 8.90" (M)



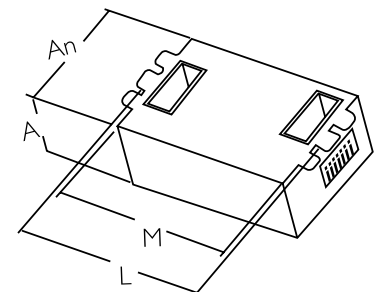
**Fig. D**  
0.98" (A) x 1.18" (An) x 16.69" (L) x 16.34" (M)



**Fig. 2**  
1.29" (A) x 3.00" (An) x 4.55" (L) x 4.21" (M)



**Fig. 3**  
1.29" (A) x 3.00" (An) x 6.00" (L) x 5.50" (M)



**Fig. 4**  
0.98" (A) x 2.4" (An) x 4.98" (L) x 2.0" (M)

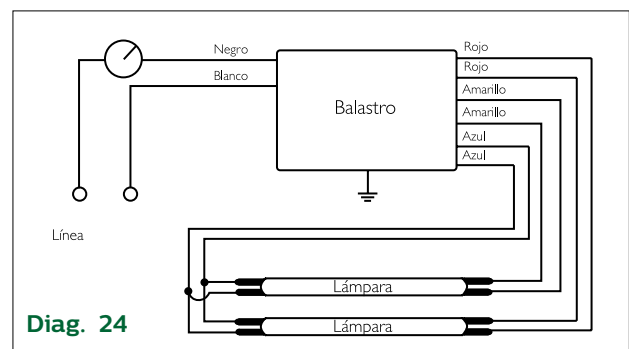
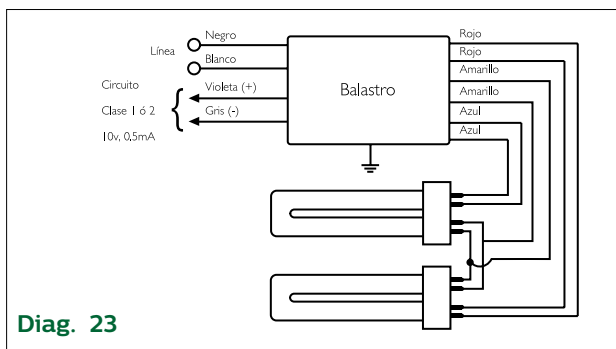
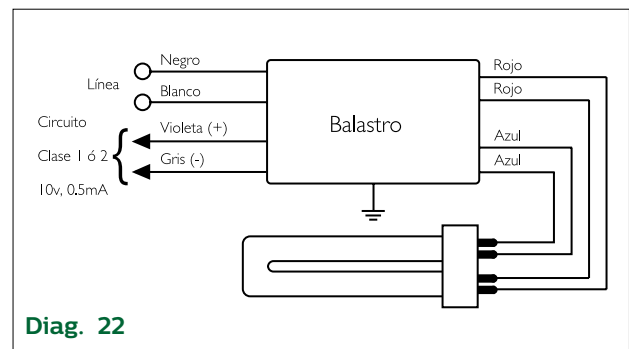
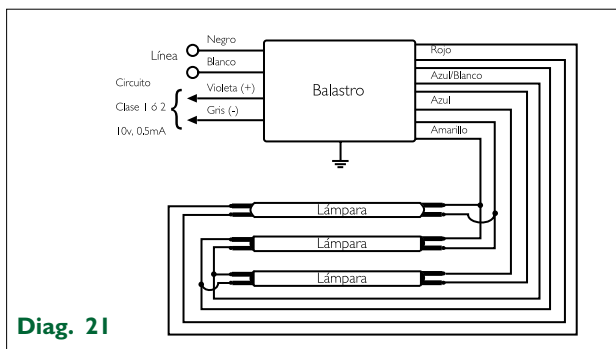
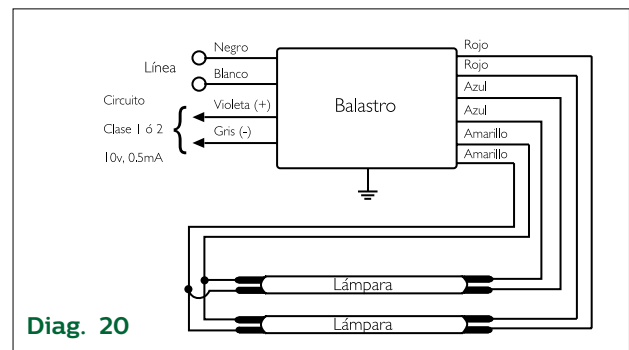
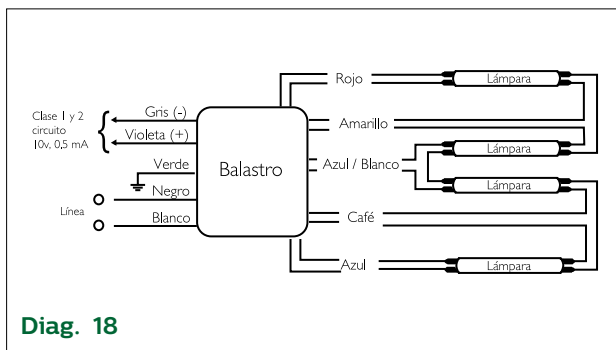
# Balastos Electrónicos Atenuables MARK 7 (0-10V)

Catálogo	Clave	No. de lámparas	Tensión de Línea	Tipo de encendido	Familia de Balastro	Potencia de línea (W)	Factor de Balastro	% THD	Corriente de Línea (A)	Temp. de Encendido Mín. (°F/°C)	Dimensión/ Conexión
<b>CFQ26W/G24q, PL-C26W/4P(26W)</b>											
*IZT2S26M5LD35M	114611	1	120-277	PS	MARK 7	8	0.03/ 1.00	10	0.11	50/10	5/22
*IZT2S26M5LD35M	114611	2	120-277	PS	MARK 7	13	0.03/ 1.00	10	0.20	50/10	5/23
<b>CFTR26W/GX24q, PL-T26W(26W)</b>											
*IZT2S26M5LD35M	114611	1	120-277	PS	MARK 7	8	0.03/ 1.00	10	0.11	50/10	5/22
*IZT2S26M5LD35M	114611	2	120-277	PS	MARK 7	13	0.03/ 1.00	10	0.20	50/10	5/23
<b>CFTR42W/G24q, PL-T42W(42W)</b>											
*IZT2S26M5LD35M	114611	1	120-277	PS	MARK 7	9	0.03/ 1.00	10	0.17	50/10	5/22
<b>F17T8, FBO16T8 (17W)</b>											
IZT2S32SC73M	240507	2	120-277	PS	MARK 7	11	0.03/ 1.00	10	0.13	50/10	B/20
*IZT3S32SC35M	118967	3	120-277	PS	MARK 7	18	0.03/ 1.00	10	0.20	50/10	B/21
<b>F25T8, FBO24T8 (25W)</b>											
IZT2S32SC73M	240507	2	120-277	PS	MARK 7	12	0.03/ 1.00	10	0.19	50/10	B/20
*IZT3S32SC35M	118967	3	120-277	PS	MARK 7	19	0.03/ 1.00	10	0.28	50/10	B/21
IZT4S3273M	258541	4	120-277	PS	MARK 7	22	0.03/ 1.00	10	0.35	50/10	D/18
<b>F32T8, FBO31T8, F32T8/U(32W)</b>											
IZT2S32SC73M	240507	2	120-277	PS	MARK 7	14	0.03/ 1.00	10	0.24	50/10	B/20
*IZT3S32SC35M	118967	3	120-277	PS	MARK 7	20	0.03/ 1.00	10	0.37	50/10	B/21
IZT4S3273M	258541	4	120-277	PS	MARK 7	25	0.03/ 1.00	10	0.42	50/10	D/18
<b>FT55W/2G11, PL-L55W(55W)</b>											
*IZT2S5435M	176263	2	120	PS	MARK 7	24	0.03/ 1.00	10	0.96	50/10	D/22
*VZT2S5435M	176651	2	277	PS	MARK 7	24	0.03/ 1.00	10	0.42	50/10	D/23
<b>F54T5/HO(54W)</b>											
*IZT2S5435M	176263	2	120	PS	MARK 7	24	0.03/ 1.00	10	1.05	50/10	D/20
*VZT2S5435M	176651	2	277	PS	MARK 7	24	0.03/ 1.00	10	0.45	50/10	D/20
<b>FC12T5/HO(55W)</b>											
*IZT2S5435M	176263	2	120	PS	MARK 7	24	0.03/ 1.00	10	0.96	50/10	D/20
*VZT2S5435M	176651	2	277	PS	MARK 7	24	0.03/ 1.00	10	0.42	50/10	D/20
<b>F14T5</b>											
IZT2S28D73M	292888	2	120-277	PS	MARK 7	14	0.03/ 1.00	10	0.29	50/10	D/20
<b>F21T5</b>											
IZT2S28D73M	292888	2	120-277	PS	MARK 7	21	0.03/ 1.00	10	0.42	50/10	D/20
<b>F28T5</b>											
IZT2S28D73M	292888	2	120-277	PS	MARK 7	28	0.03/ 1.00	10	0.57	50/10	D/20
<b>F28T5/ES (25W)</b>											
IZT2S28D73M	292888	2	120-277	PS	MARK 7	25	0.03/ 1.00	10	0.51	50/10	D/20

# Balastos Electrónicos Atenuables MARK 7 (0-10V)

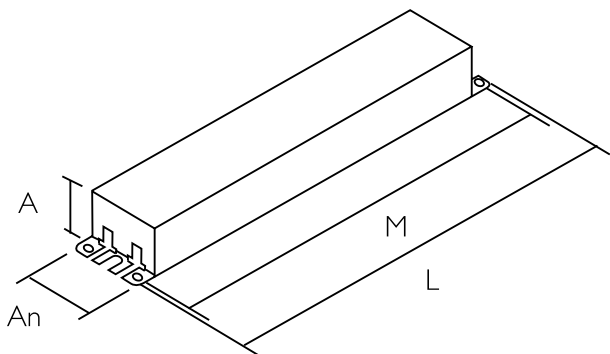
Catálogo	Clave	No. de lámparas	Tensión de Línea	Tipo de encendido	Familia de Balastro	Potencia de línea (W)	Factor de Balastro	% THD	Corriente de Línea (A)	Temp. de Encendido Mín. (°F/°C)	Dimensión/ Conexión
<b>F24T5/HO</b>											
IEZ2S24D73M	258525	2	120-277	PS	MARK 7	16	0.03/ 1.00	10	0.48	50/10	E/24
<b>FT24W</b>											
IEZ2S24D73M	258525	2	120-277	PS	MARK 7	16	0.03/ 1.00	10	0.48	50/10	E/24

## Diagramas de Conexión



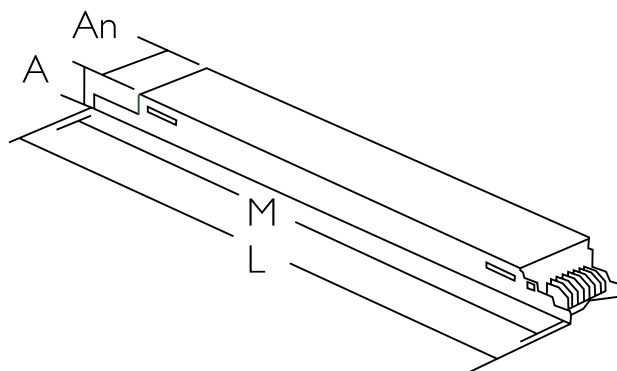
# Balastos Electrónicos Atenuables MARK 7

Dimensiones (pulgadas)



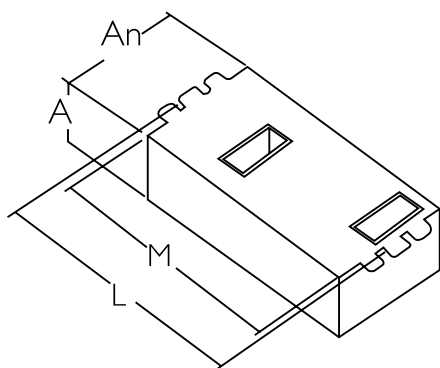
**Fig. B**

1.18" (A) x 2.36" (An) x 9.50" (L) x 8.90" (M)



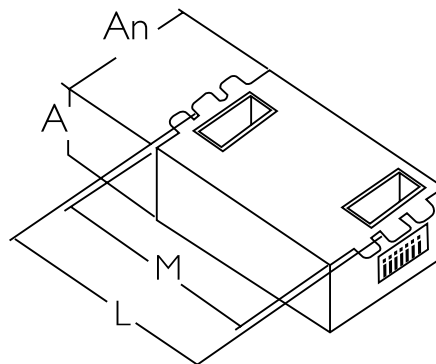
**Fig. D**

1.18" (A) x 0.98" (An) x 16.69" (L) x 16.34" (M)



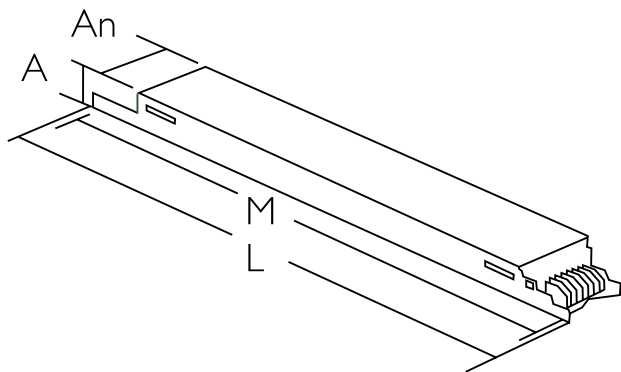
**Fig. 3**

1.29" (A) x 3.00" (An) x 2.06" (L) x 5.50" (M)



**Fig. 5**

1.18" (A) x 3.01" (An) x 4.59" (L) x 4.20" (M)



**Fig. 6**

1.00" (A) x .118" (An) x 16.70" (L) x 16.34" (M)

# Transformador Electrónico Atenuable para LED

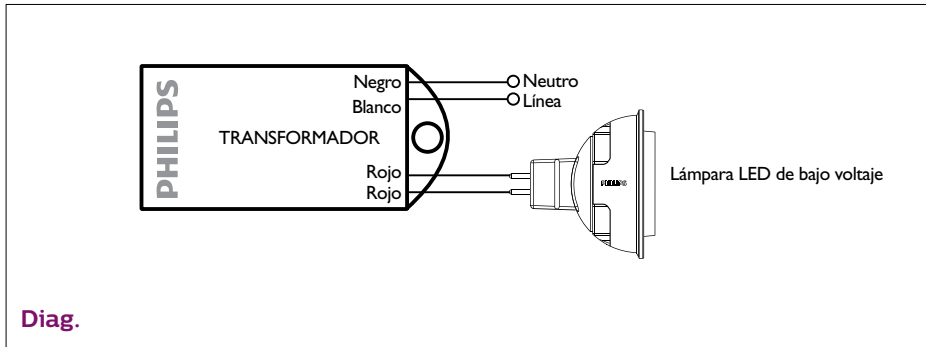
Catálogo	Clave	No. de lámparas	Tipo de Lámpara	Voltaje (V~)	Familia de Balastro	Potencia de línea (W)	Corriente de Línea (A)	PF	% THD	Piezas por caja
ETRZ17LED	259275	1	LED BAJO VOLTAJE (12V)	120V~	RESIDENCIAL	17	<15	0.9	10	48



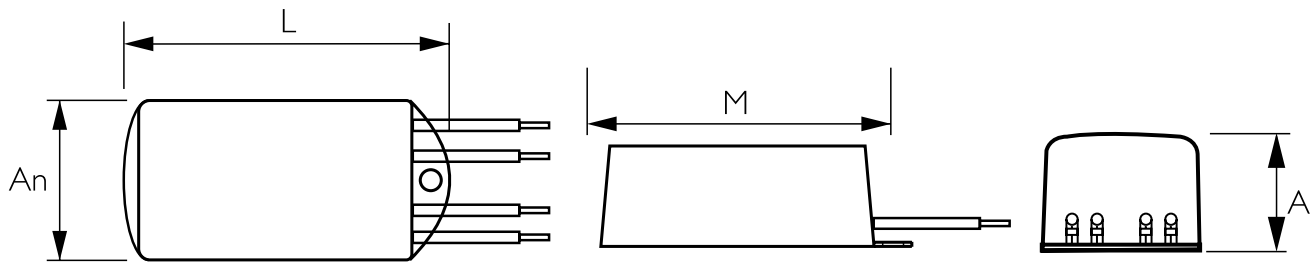
**ETRZ17LED**  
Transformador Atenuable  
12V

# Transformador Electrónico Atenuable para LED

## Diagramas de Conexión



## Dimensiones (pulgadas)



**Fig.**

0.96" (A) x 1.49" (An) x 2.99" (L) x 2.83" (M)

# Balastos Electrónicos para Lámparas HID

Catálogo	Clave	No. de lámparas	Watts	ANSI	Tensión de Línea	Potencia de Línea (W)	Factor de Balastro	Factor de Potencia	% THD	Corriente de Línea (A)	Temp. de Encendido Mín. (°F/°C)	Dimensión/ Conexión
<b>Aditivos Metálicos Cerámicos 20W ( CDM TM / CDM R111)</b>												
*RMH-20-KLF	121210	1	22 W	M175	120-127	26	1	0.9	15	0.23	-4/-20	K/4t
*IMH-G20-GLFM	107813	1	20W	C156/M156	120-127	24	1	0.9	15	0.2	*-4/-20	K/4
<b>Aditivos Metálicos Cerámicos 35W ( CDM T / CDM TC / CDM R111)</b>												
IMH-39-GLF	496430	1	39 W	M130	120-277	46	1	0.9	15	0.39/0.18	-20/-30	G/3
*IMH-239-ALF	120402	2	39 W	M130	120-277	89	1	0.9	15	0.74/0.31	-20/-30	A/5
*IMH-39-KLFM	498683	1	39W	C130/M130	120-277	45	1	0.9	15	0.39/0.18	*-20/-30	G/3
*IMH-P39-GLF	199653	1	39W	M179	120-277	46	1	0.9	15	0.39/0.17	*-20/-30	G/3
<b>Aditivos Metálicos Cerámicos 50W ( CDM TM / CDM TC / CDM T)</b>												
*IMH50KLFM	498717	1	50 W	C193	120-177	57	1	0.9	15	0.48/0.21	*-20/-30	A/1
<b>Aditivos Metálicos Cerámicos 70W ( CDM T / CDM TC / CDM R111)</b>												
IMH-70-GLF	496448	1	70W	M98, M139, M143,	120-277	80	1	0.9	15	0.67/0.30	-20/-30	G/3
<b>Aditivos Metálicos Cerámicos 100W ( CDM R)</b>												
*IMH-100-DLF	119495	1	100 W	M90, M140	120-277	110	1	0.9	15	0.92/0.40	-20/-30	D/3
<b>Aditivos Metálicos Cerámicos 150W ( CDM T)</b>												
*IMH-150-HLF	121251	1	150 W	M102, M142	120-277	165	1	0.9	15	1.4/0.6	-20/-30	H/3
<b>Master Color CDM Elite MW</b>												
IZTMH-2I03I5-R-LF	197954	1	210 W	C183	200	229	1	0.95	15	1.2	-20°C/-4°F	N/6
					277	227	1	0.95	15	0.82		
<b>Color CDM Elite MW</b>												
IZTMH-2I03I5-R-LF	197954	1	315 W	C182	200	343	1	0.95	15	1.8	-20°C/-4°F	N/6
					277	341	1	0.95	15	1.25		

\*Producto sin NOM



IMH-39-GLF  
e-Vision

# Balastos Electrónicos para Lámparas HID

## COSMOPOLIS

Catálogo	Clave	No. de lámparas	Watts	ANSI	Tensión de Línea	Potencia de Línea (W)	Factor de Balastro	Factor de Potencia	% THD	Corriente de Línea (A)	Temp. de Encendido Mín. (°F/°C)	Dimensión/ Conexión
<b>Cosmopolis (CPO) - ON-OFF</b>												
*ICW-45-QLSM	126383	1	45 W	TBD	208-277	51	1	0.95	<15	0.25	*-30/-20	L/7
*ICW-60-QLSM	126425	1	60 W	C187	208-277	67	1	0.95	<15	0.33	*-30/-20	L/7
*ICW-90-QLSM	126458	1	90 W	C188	208-277	99	1	0.95	<15	0.49	*-30/-20	L/7
*ICW-140-QLSM	126474	1	140 W	C189	208-277	153	1	0.95	<15	0.75	*-30/-20	L/7

### Cosmopolis Programable (DALI)

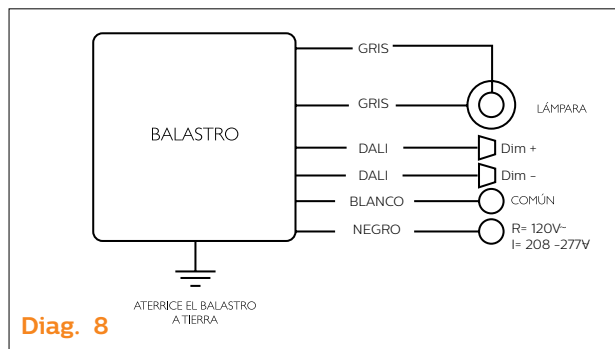
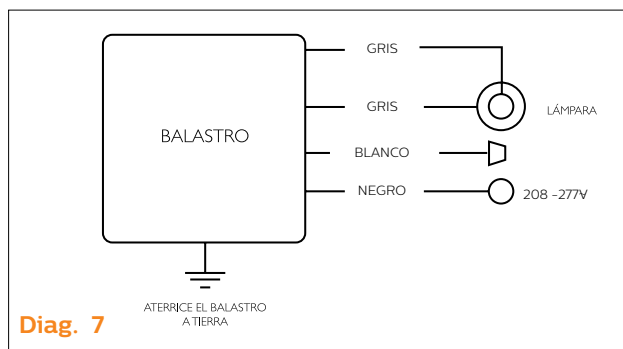
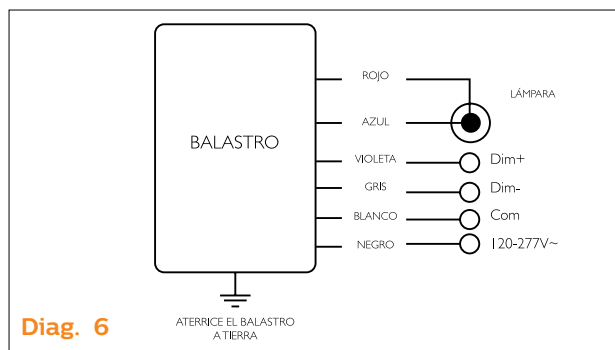
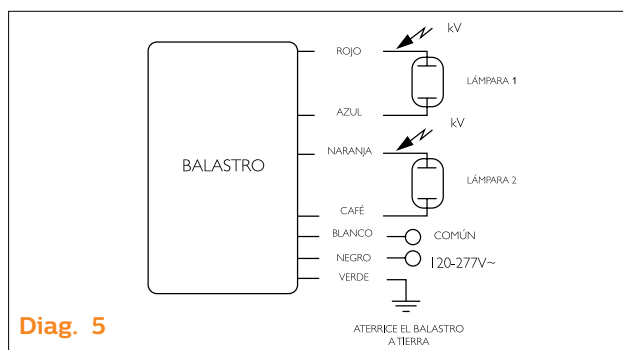
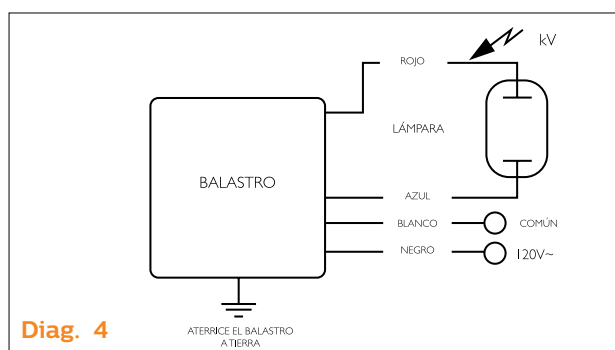
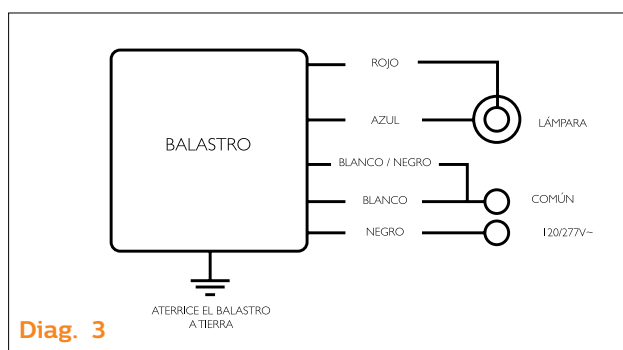
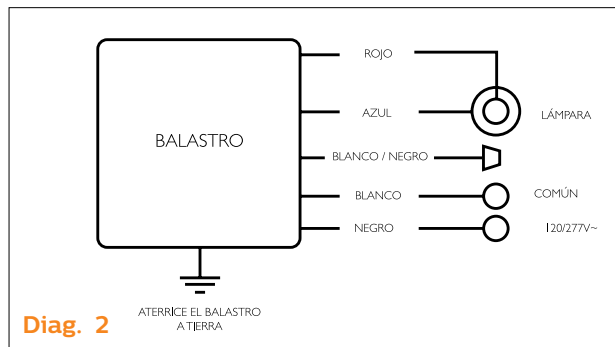
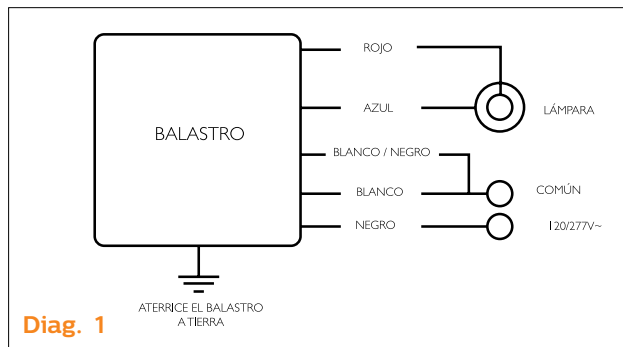
IDCW-45-MLSM	109975	1	45W	TBD	208-277	54	1	0.95	<1.5	0.26	-30/-22	M/8
IDCW-60-MLSM	109983	1	60W	C187	208-277	67	1	0.95	<1.5	0.33	-30/-22	M/8
IDCW-90-MLSM	109991	1	90W	C188	208-277	99	1	0.95	<1.5	0.49	-30/-22	M/8
IDCW-140-MLSM	109967	1	140W	C189	208-277	153	1	0.95	<1.5	0.75	-30/-22	M/8



**ICW-140-QLSM**  
Balastro Electrónico

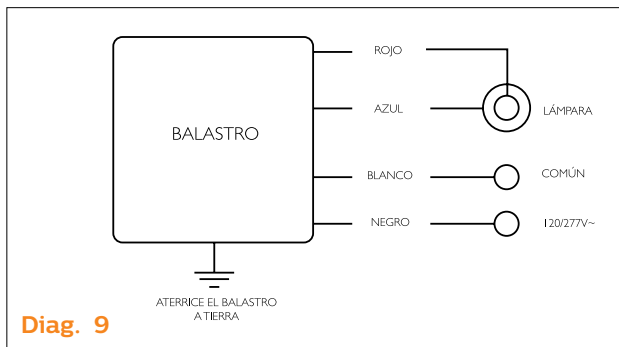
# Balastos Electrónicos para Lámparas HID

## Diagramas de Conexión

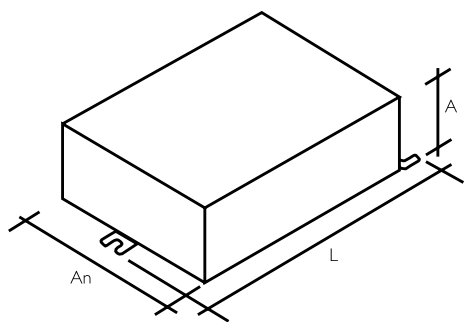


# Balastos Electrónicos para Lámparas HID

## Diagramas de Conexión



## Dimensiones (pulgadas)



**Fig. A**  
1.50" (A) x 3.62" (An) x 5.51" (L)

**Fig. C**  
1.50" (A) x 3.62" (An) x 8.03" (L)

**Fig. D**  
1.50" (A) x 3.03" (An) x 5.04" (L)

**Fig. G**  
1.18" (A) x 3.03" (An) x 3.82" (L)

**Fig. H**  
1.30" (A) x 3.62" (An) x 6.34" (L)

**Fig. K**  
1.18" (A) x 1.30" (An) x 4.45" (L)

**Fig. L**  
2.6" (A) x 2.6" (An) x 5.3" (L)

**Fig. M**  
2.6" (A) x 2.6" (An) x 5.9" (L)

**Fig. N**  
2.2" (A) x 4.9" (An) x 8.2" (L)

**Fig. O**  
1.2" (A) x 1.1" (An) x 4.1" (L)

# Balastros Magnéticos para Lámparas HID

Catálogo	Clave	Watts	ANSI	Tensión de Línea	Potencia de línea (W)	Corriente de Línea (A)	Tensión de Circuito Abierto (V)	Pieza por Caja	Conexión/Dimensión	Dim. A	Dim. B	Mid	Vmin	Circuito
<b>Vapor de Sodio Alta Presión. Alto Factor de Potencia</b>														
71A79H8500DMLA	496166	70W	S62	127/220	95	1.60/0.89	105	2	F2/2	3.81	7.11	32.5	300	Autorregulado
71A9934500DML	493775			120/220/240/277	91	0.81/0.44/0.40/0.35	120	2	F1/1	3.8	7.87	7	280	Alta Reactancia
71A80H8500DMLA	496208	100W	S54	127/220	138	1.07/0.62	115	2	F2/2	5.08	8.38	34	170	Autorregulado
71A9935500DML	493783			120/220/240/277	130	1.15/0.62/0.58/0.50	120	2	F1/1	5.08	9.14	10	280	Alta Reactancia
71A81H8500DMLA	496240	150W	S55	127/220	190	1.55/0.89	110	2	F2/2	7.11	10.41	55	170	Autorregulado
71A9936500DML	493791			120/220/240/277	188	1.65/0.90/0.83/0.72	120	2	F1/1	6.6	9.65	14	280	Alta Reactancia
71A82H1500DMLA	286674	250W	S50	127/220	295	2.5/1.5	180	2	F2/2	4.57	8.89	35	240	Autorregulado
71A8291500DMLA	244434			120/208/240/277	295	2.5/1.5/1.3/1.1	187	2	F2/2	4.57	8.89	35	240	Autorregulado
71A9937500DML	493809	400W	S51	127/220/240/277	464	3.55/2.1/1.9/1.7	190	2	F2/2	5.84	10.16	55	240	Autorregulado
71A8493500DMLA	496323			120/208/240/277	464	3.8/2.2/1.9/1.7	190	2	F2/2	2.65	4	55	240	Autorregulado
71A8793500ML	496331	1000W	S52	120/208/240/277	1100	9.5/5.5/4.8/4.2	435	1	F2/2	9.53	14.61	26	540	Autorregulado

## Vapor de Sodio Alta Presión. Bajas Pérdidas

**71A79J9500DML	496182	70W	S62	220/240	86.5	0.40/0.37	115	2	F2/2	5.91	10.16	26	240	Bajas Pérdidas
**71A80J9500DML	496224	100W	S54	220/240	124	0.58/0.53	114	2	F2/2	7.12	11.68	36	240	Bajas Pérdidas
**71A81J9500DML	496265	150W	S55	220/240	170	0.75/0.68	110	2	F2/2	5.33	9.65	60	240	Bajas Pérdidas
**71A82J9500DML	496307	250W	S50	220/240	284	1.35/1.25	188	2	F2/2	4.57	8.63	34	240	Bajas Pérdidas

N/D: No Disponible



71A80H8500DMLA  
Balastro Magnético



71A8291500DMLA  
Balastro Magnético

# Balastos Magnéticos para Lámparas HID

Catálogo	Clave	Watts	ANSI	Tensión de Línea	Potencia de línea (W)	Corriente de Línea (A)	Tensión de Circuito Abierto (V)	Pieza por Caja	Conexión/Dimensión	Dim. A	Dim. B	Mid	Vmin	Circuito
----------	-------	-------	------	------------------	-----------------------	------------------------	---------------------------------	----------------	--------------------	--------	--------	-----	------	----------

## Aditivos Metálicos. Alto Factor de Potencia

71A5292500DML	495838	70W	M98 ó M143 M85 (HQI)	120/208/240/277	88	0.80/0.46/0.40/0.35	255	2	F1/1	3.81	7.11	8	280	Alta Reactancia
71A9938500DML	493817			127/220/240	103	0.83/0.50/0.46	242	2	F1/1	3.81	6.85	10	300	Alta Reactancia
71A53H0500DML	482471	100W	M90 ó M140	127/220	129	1.00/0.64	280	2	F1/1	4.32	7.37	12	280	Alta Reactancia
71A5390500DML	495853			120/208/240/277	129	1.15/0.66/0.58/0.50	285	2	F1/1	3.81	7.11	12	280	Alta Reactancia
71A5492500DML	482760	150W	M102 ó M142 M81 (HQI)	120/208/240/277	185	1.6/1.0/0.8/0.7	265	2	F1/1	5.84	9.91	16	280	Alta Reactancia
71A5490500DML	495861			120/208/240/277	185	1.6/1.0/0.8/0.7	240	2	F1/1	6.35	9.65	16	300	Alta Reactancia
71A55H0500DML	495911	175/150W	M57/M107 ó H39	127/220	210	1.8/1.04	305	2	F4/2	6.35	9.65	10	400	Autorregulado
71A5590500DML	495895			120/208/240/277	210	1.8/1.04/0.90/0.80	305	2	F4/2	6.35	9.4	10	400	Autorregulado
71A57H0500DMLA	352641	250W	M58 ó H37	127/220	295	2.6/1.5	300	2	F4/2	3.81	7.62	15	400	Autorregulado
71A5790500DMLA	187666	250W	M58 ó H37	120/208/240/277	298	2.5/1.45/1.25/1.10	300	2	F4/2	3.18	7.62	15	400	Autorregulado
71A60H1500DMLA	496075	400W	M59 ó H33	127/220	458	3.9/2.2	300	2	F4/2	5.08	9.65	24	400	Autorregulado
71A6041500DMLA	496000			480	462	1	300	2	F4/2	5.08	10.16	24	400	Autorregulado
71A6091500DMLA	496034			120/208/240/277	458	4.0/2.3/2.0/1.75	305	2	F4/2	5.08	9.91	24	400	Autorregulado
71A65J0500MML	496141	1000W	M47 ó H36	220	1080	4.9	430	1	F4/2	8.64	13.46	24	480	Autorregulado
71A6542500MML	496083			480	1080	2.25	430	1	F4/2	6.6	11.43	24	480	Autorregulado
71A6590500MML	496091			120/208/240/277	1070	9.0/5.20/4.50/3.9	415	1	F4/3	8.64	13.46	24	480	Autorregulado
71A6592500MLA	496125			120/208/240/277	1080	9.0/5.2/4.5/3.9	430	1	F4/3	2.6	4.5	24	480	Autorregulado
71A6792500MLA	496158			1500W	M48	120/208/240/277	1605	13.5/7.8/6.75/5.85	460	1	F4/3	10.41	15.49	32

## Aditivos Metálicos. Encendido de Pulso

71A5792500DMLA	495945	250W	M138 ó M153	120/208/240/277	291	2.50/1.45/1.25/1.10	275	2	N/D	10.8	12	32	525	Autorregulado
71A5892500DMLA	495978	320W	M132 ó M154	120/208/240/277	368	3.25/1.90/1.65/1.40	270	2	N/D	10.8	12	32	525	Autorregulado
71A5593500DML	495903	175W	M137 ó M152	120/208/240/277	400	3.40/2.00/1.70/1.50	270	4	N/D	10.8	12	32	525	Autorregulado
71A6092500DML	496042	400W	M135 ó M155	120/208/240/277	452	3.8/2.2/1.9/1.65	265	2	N/D	10.8	12	32	525	Autorregulado

## Balastro HID. Alta Intensidad de Descarga SON T PLUS PIA y Master City White (CDO-TT)

71A9916500DML	285387	70W	SON-T PIA	220/240	82	0.92/0.91/ 0.38/0.35	220	4	F4/3	4.17	7.62	n/a	n/a	Tipo Reactor Serie
71A9917500DML	285601	100W	SON-T PIA	220/240	112.5	1.10/1.10/0.52/0.48	220	4	F4/3	5.08	8.26	n/a	n/a	Tipo Reactor Serie
71A9918500DML	285627	150W	SON-T PIA	220/240	167	1.73/1.75/0.78/0.72	220	4	F4/3	6.96	10.41	n/a	n/a	Tipo Reactor Serie

## Balastro para Lámpara de Alta Presion de Sodio SON T PIA (CWA) y Master City White (CDO-TT)

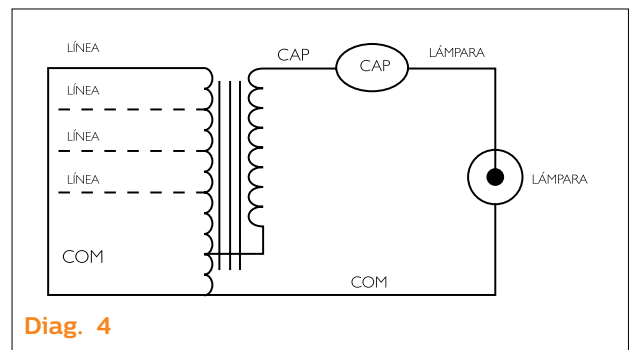
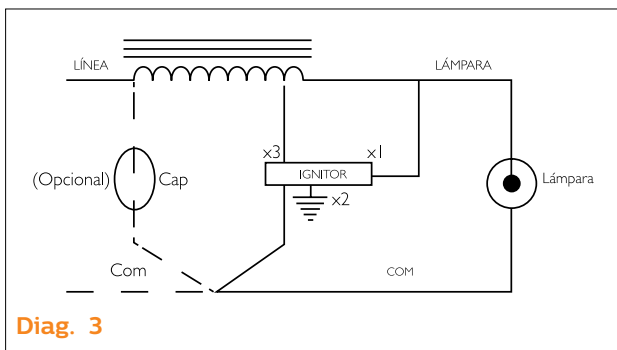
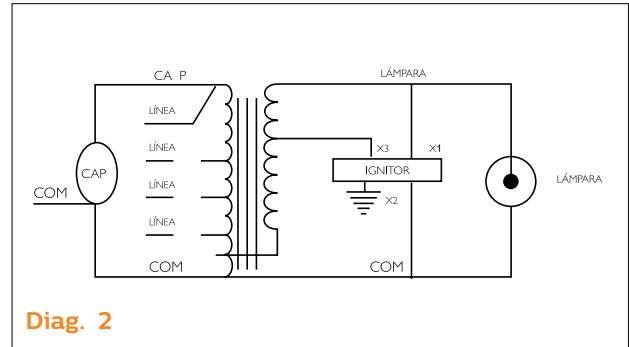
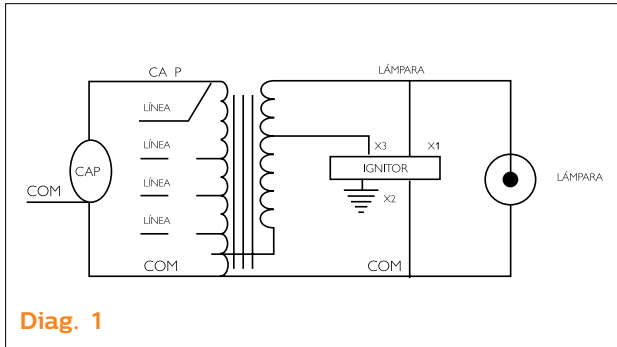
**71A99J9500DML	291971	100W	SON-T PIA	127/220/240	172	1.32/0.76/0.70	195	2	F5/5	6.30	9.19	n/a	n/a	Autorregulado
**71A99J5500DML	291963	150W	SON-T PIA	127/220/240	120	0.97/0.55/0.51	200	2	F5/5	5.08	9.78	n/a	n/a	Autorregulado
**71A99J7500DML	291955	70W	SON-T PIA	127/220/240	120	0.7/0.40/0.35	190	2	F5/5	5.08	9.78	n/a	n/a	Autorregulado

N/D: No Disponible

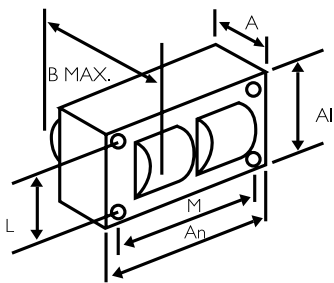


# Balastos Magnéticos para Lámparas HID

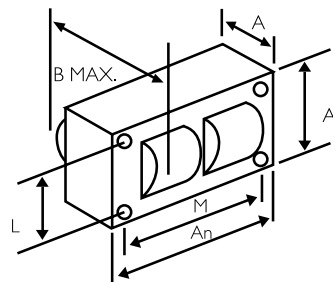
## Diagramas de Conexión



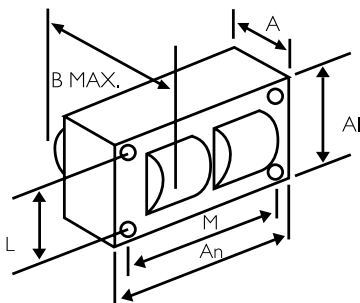
## Dimensiones (pulgadas)



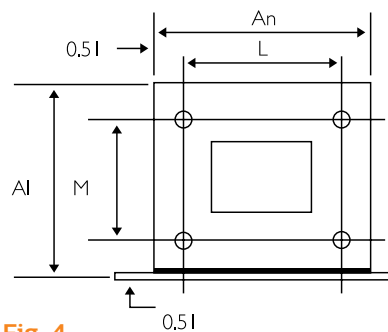
**Fig. 1**  
2.81" (A) x 3.94" (An) x 2.44" (L) x 3.50" (M)



**Fig. 2**  
4.25" (A) x 4.72" (An) x 3.87" (L) x 4.37" (M)



**Fig. 3**  
4.25" (A) x 6.00" (An) x 3.87" (L) x 5.37" (M)



**Fig. 4**  
2.20" (A) x 2.65" (An) x 2.20" (L) x 1.75" (M)

# Balastos de Emergencia Bodine

Catálogo	Clave	No. de lámparas	Potencia de Lámpara (W)	Tipo de Lámpara	Voltaje (V)	Lúmenes (Lm)	Pza. por Caja	Peso por caja (Kg)	Dimensión
*B30	497925	1	17-215	T8, T12, PL-L (Larga Compacta 4PIN) y circular	127/277	1450-3500	6	23.70	1
		2	17-40						
*B33	197517	2-3	32-55	T8 y PL-L (Larga Compacta 4PIN)	127/277	2700-3400	6	23.40	1
B50	291930	1	17-215	T8, T12, PL-L (Larga Compacta 4PIN) y circular	127/277	1100-1400	20	34.00	2
	499111	2	17-40						
B60	496380	1	17-215	T8, T12, PL-L (Larga Compacta 4PIN) y circular	127/277	600-700	20	22.80	3
	278655	2	17-40						
B100	496356	1	17-40	T8, T12, PL-L (Larga Compacta 4PIN) y circular	127/277	350-450	20	19.00	3
	496349								
LP550	209450	1	14-55	T5 HO/HE, T8 y PL-L (Larga Compacta 4PIN)	127/277	390-700	10	10.00	4
*LP600	217000	1	14-55	T5 HO/HE, T8 y PL-L (Larga Compacta 4PIN)	127/277	600-1325	10	15.00	5
*B413	217026	1	5-13	PL-L (Larga Compacta 4PIN)	127/277	200-625	10	15.00	6
*B463	496364	1	10-26	PL-L (Larga Compacta 4PIN)	127/277	300-650	10	12.70	6
B90	197806	1	17 - 40	T8 y T12	127/277	500-600	20	26.00	3
*B94CG	498907	1	13-42	PL-L (Larga Compacta 4PIN)	127/277	300-750	10	14.00	K
		2	13-38						

\*Producto sin NOM



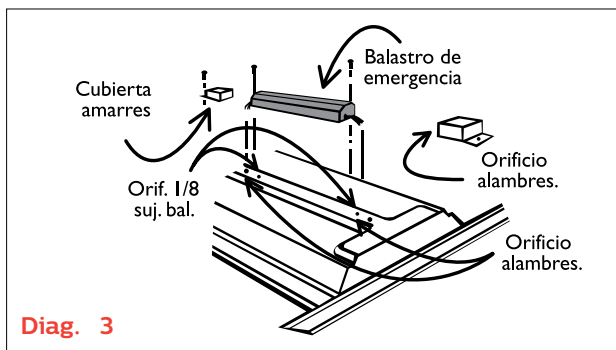
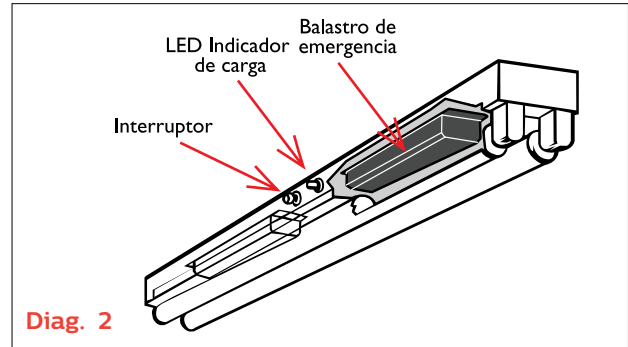
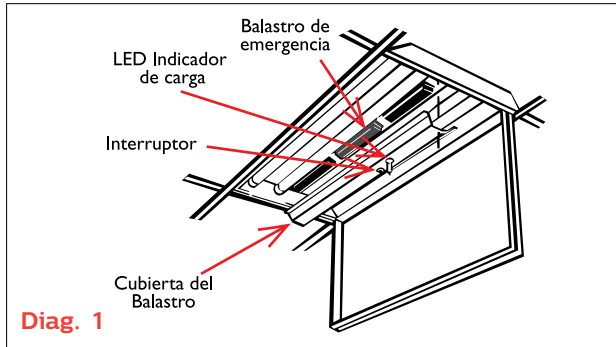
**B60**  
Bodine



**LP550**  
Bodine

# Balastos de Emergencia

## Diagramas de Conexión



\*Si requiere información de los diagramas de conexión, favor de solicitar el instructivo de instalación al fabricante.

# Balastos de Emergencia Bodine

Dimensiones (pulgadas)

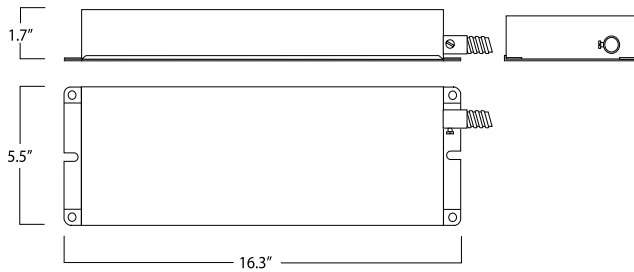


Fig. 1

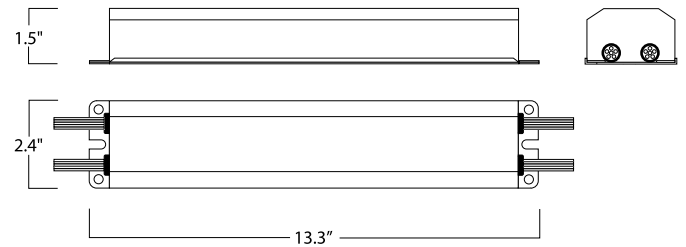


Fig. 2

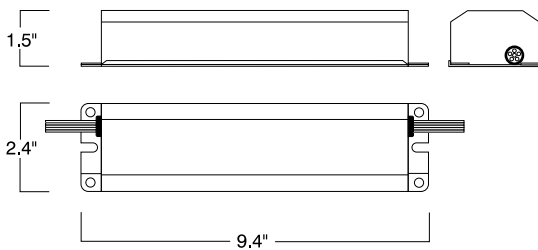


Fig. 3

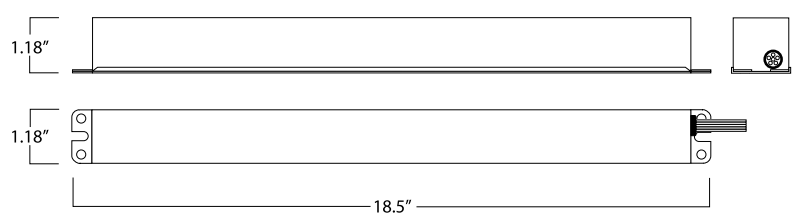


Fig. 4

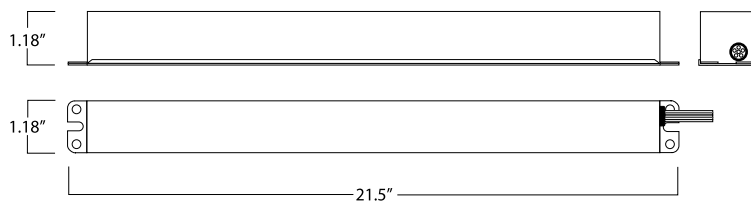


Fig. 5

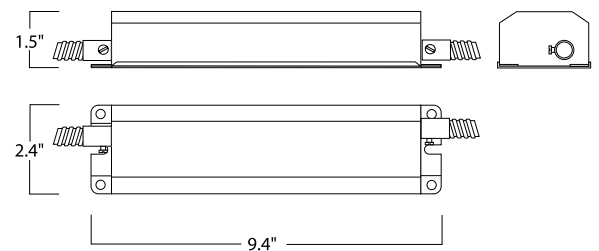


Fig. 6



# Contáctenos

Philips Iluminación México pone a su disposición diferentes canales de comunicación a fin de brindarle un mejor servicio.

## Servicio al Cliente

A través de nuestras líneas de servicio al cliente usted podrá hacer consultas sobre sus órdenes de compra, nuestras existencias, tiempos de entrega y otros temas relacionados con el estado de sus pedidos.

Teléfonos:

(+55) 5269 9119  
(+55) 5269 9025  
(+55) 5269 9127  
(+55) 5269 9372

## Estado de Cuenta

Si requiere información sobre el estado de su cuenta y su cupo de crédito, comuníquese con nuestra área de Crédito y Cobranza a los teléfonos:

(+55) 5269 9269  
(+55) 5269 9071

## Smartlight

A través de nuestra línea gratuita usted podrá hacer consultas sobre información técnica, inscribirse en nuestros cursos y programas de capacitación, tramitar la solicitud de garantías, en registro y seguimiento de quejas y reclamos.

## Línea Gratuita: 01800 508 9000

Tel. (+55) 5269 9139  
Fax. (+55) 5269 9128  
smartlight.mexico@philips.com

## Centro de Aplicaciones en Iluminación (LAC)

Philips Iluminación pone a su disposición nuestro Centro de Aplicaciones (LAC) a través del cual usted podrá profundizar sus conocimientos en iluminación y sobre nuestro portafolio de forma didáctica y personalizada. Si está interesado en alguno de nuestros cursos, comuníquese a nuestra línea gratuita 01800 508 9000 o al correo electrónico de Smartlight para inscribirse y enterarse sobre sus horarios de atención.





Philips Mexicana S.A. de C.V.  
Av. La Palma No. 6 Col, San Fernando  
La Herradura, 52784  
Huixquilucan, Estado de México  
Línea de atención al Cliente: 01 800 508 9000 o 5269 9139  
[www.lighting.philips.com.mx](http://www.lighting.philips.com.mx)

Fecha de publicación: Mayo 2014

Philips se reserva el derecho de modificar la información sin previo aviso y no se hace responsable por errores u omisiones en este documento.



[philipsiluminamexico](https://www.facebook.com/philipsiluminamexico)



[@Philipsilumina](https://twitter.com/Philipsilumina)